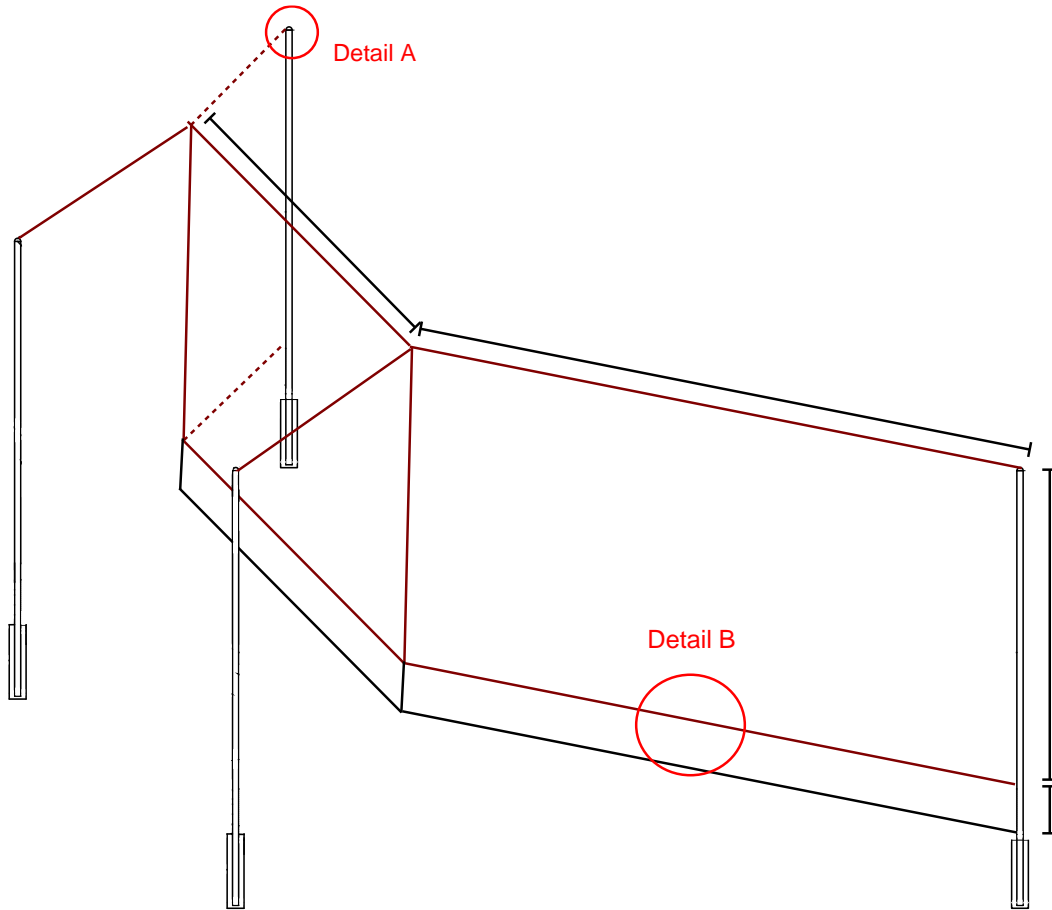


*Designed for safety. Built for fun.*

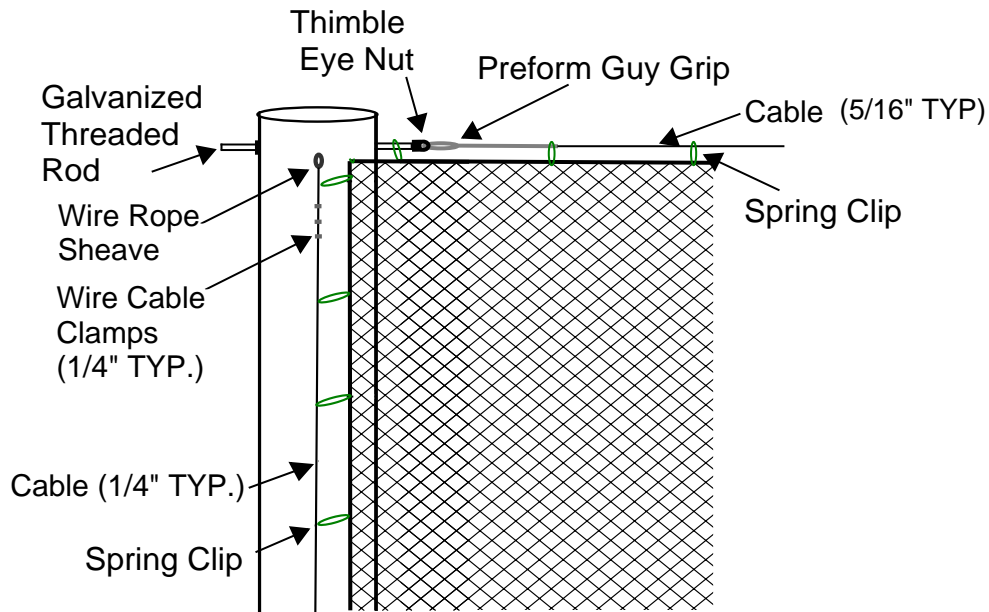


**Additional Notes:**

- Features steel poles with Stealth Black paint
- Pole sizes & footing based on soil conditions & wind loads
- Fence below installed by others
- Drawings not to scale

Designed for safety. Built for fun.

**Detail A**



**Detail B**

