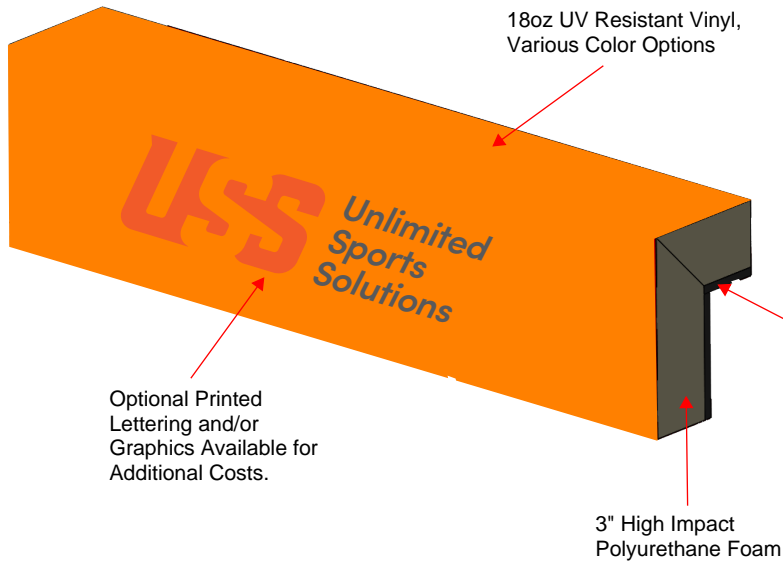
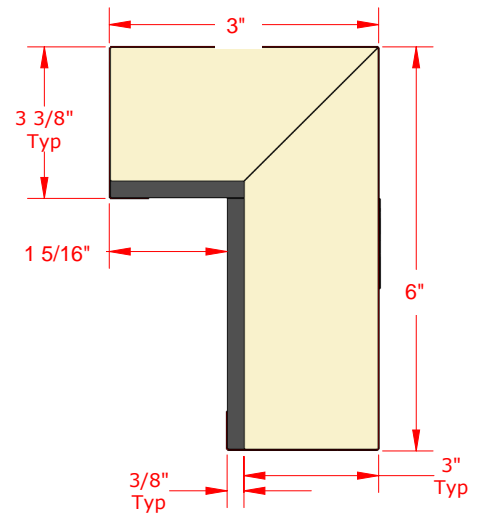


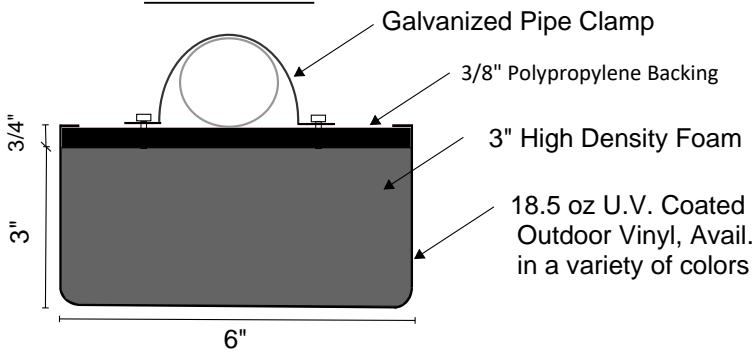
*Designed for safety. Built for fun.*



**Top Rail Padding**



**Post Pads**



**Notes:**

Not to scale

Rail size varies

Top rail fence that is being padded needs to be flush across the top of the fence.

Line posts, post caps & fabric should not extend above the top rail.