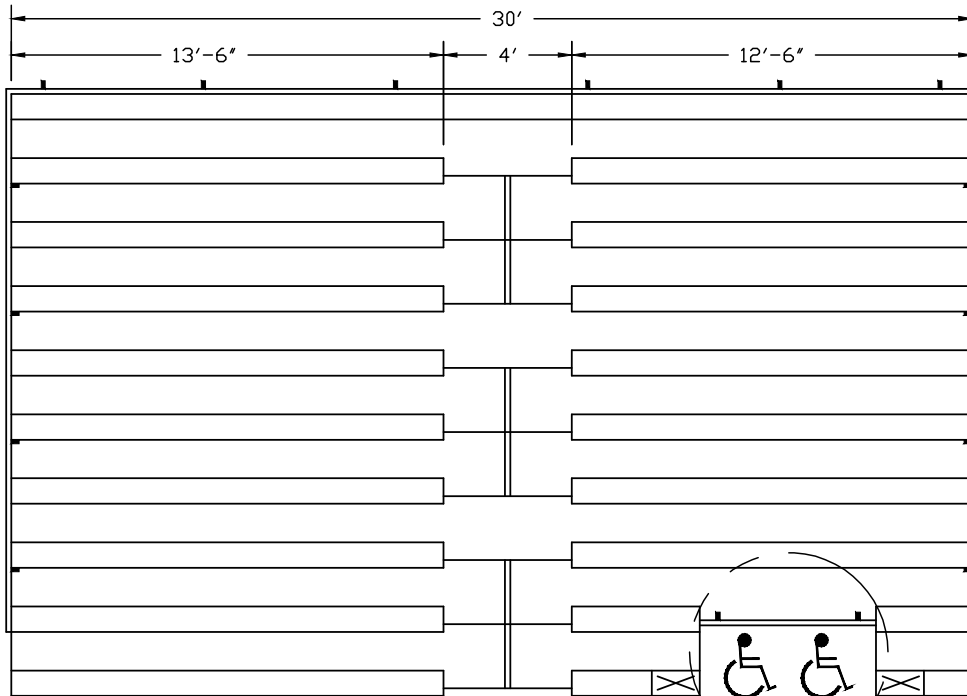


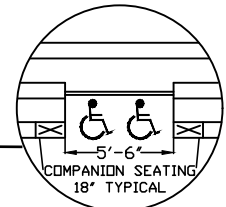
Designed for safety. Built for fun.



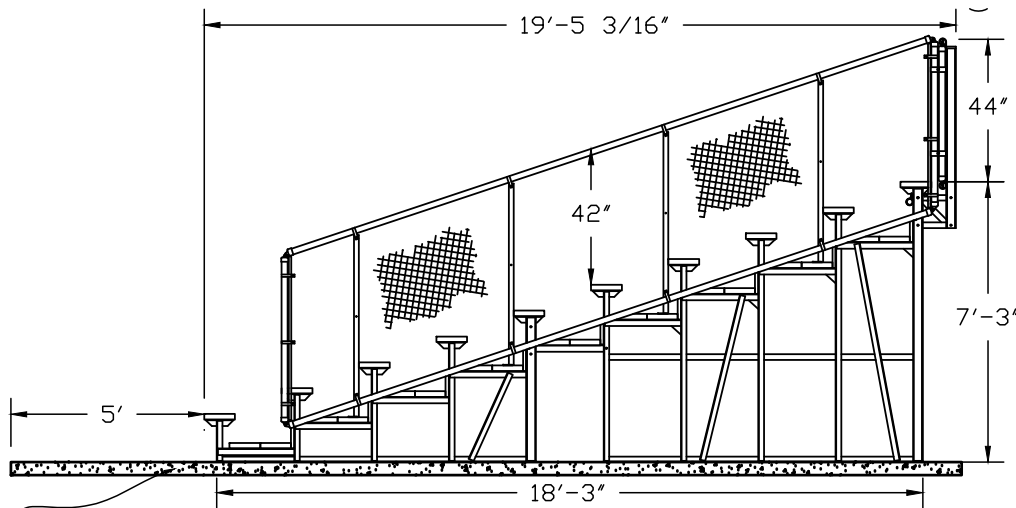
1 PLAN VIEW  
NO SCALE

**General Specifications**

- All aluminum understructure
- Rise - 8" / Run - 24"
- 2x10 anodized seat plank
- Double 2x10 footboards - all rows
- Riser enclosure - all rows
- Riser closure rail - top row only
- (1) 4' aisle w/hand rails
- (1) 2x HDCP notches
- Non-slip colored nose markings
- Chain-link fence security down to row 2
- Recommend concrete pad for anchorage (by others)



A HDCP DETAIL  
NO SCALE



ANCHORAGE TO SPECIFIED CONCRETE PAD OR EQUIVALENT RECOMMENDED TO PREVENT WIND OVERTURN OF UNIT

2 SIDE VIEW  
NO SCALE

AASI GUARANTEES THE MATERIAL, WORKMANSHIP & MISCELLANEOUS COMMODITIES USED IN ITS PRODUCTS TO BE FREE OF DEFECTS FOR A PERIOD OF (5) YEARS AND BEGINS AT THE TIME OF PURCHASE. THIS WARRANTY WILL BE NULL & VOID AS A RESULT OF MISUSE OR ABUSE, PRODUCT ALTERATIONS, CHANGES, OR DAMAGES.

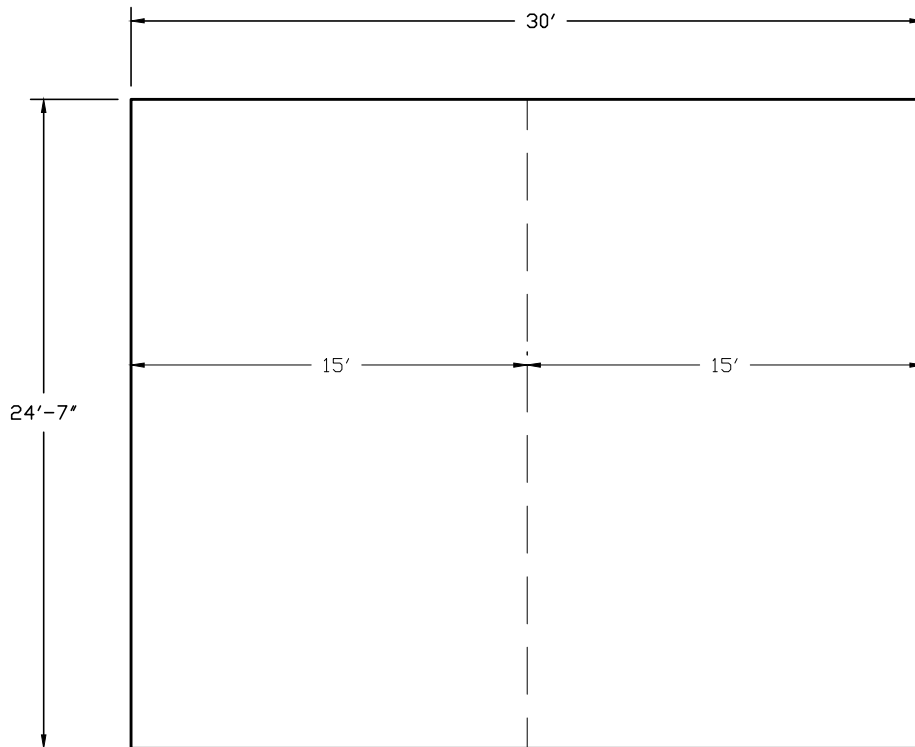
**CODE COMPLIANCE - IBC & ADA**

NET SEATING CAPACITY - 163
+ HDCP - 2
+ HDCP COMPANION - 2
TOTAL - 167 SPECTATORS

**10 Row x 30' Bleacher w/2 ADA Seats**

*Designed for safety. Built for fun.*

CONCRETE LAYOUT



CONCRETE RECOMMENDATION

- CONSTRUCTION SITE SHALL BE WELL DRAINED
- FILL SHALL BE CLEAN & FIRMLY COMPACTED
- CONCRETE SHALL BE 3000 PSI MIX
- 5" MINIMUM THICKNESS
- PAD SHALL HAVE REINFORCING WIRE
- ESTIMATED CONCRETE VOLUME:  
(738 TOTAL PAD SQ. FT)  
11.4 CU. YDS.

**NOTICE:**

***THIS CONCRETE DESIGN RECOMMENDATION IS CALCULATED ASSUMING A 2500 P.S.F. SOIL BEARING CAPACITY & WILL PREVENT THE ANCHORED UNIT FROM OVERTURN. THE CUSTOMER IS SOLELY RESPONSIBLE FOR THE FINAL DESIGN & SITE PREPARATION TO LOCAL CODES & ORDINANCES. A LOCAL CONCRETE CONTRACTOR WILL BE A VALUED SOURCE IN THE DETERMINATION.***