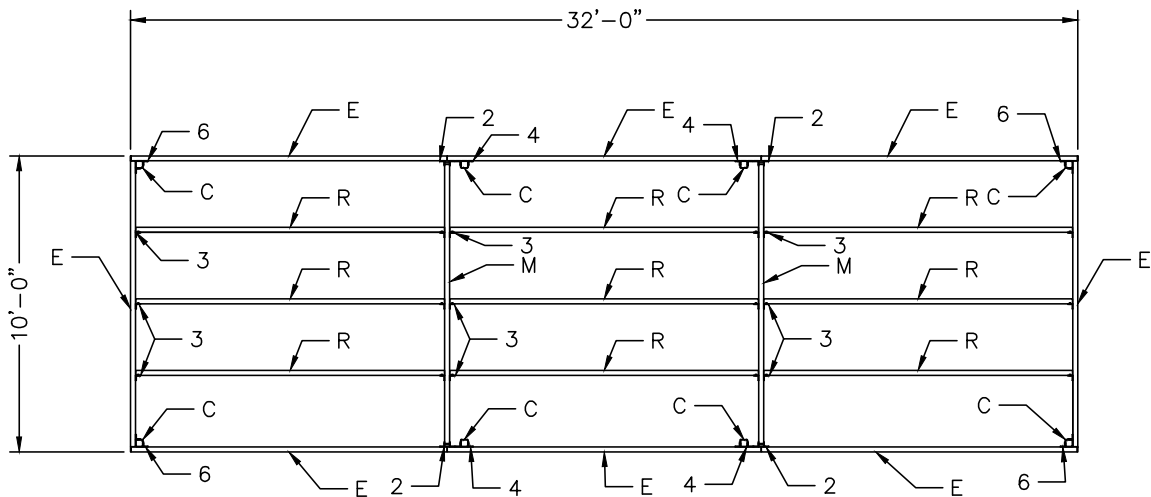
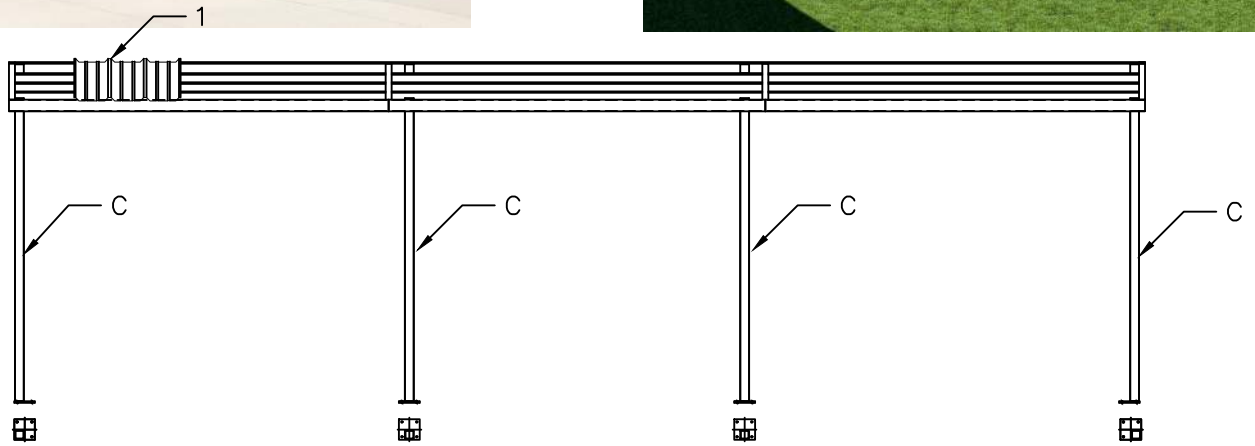


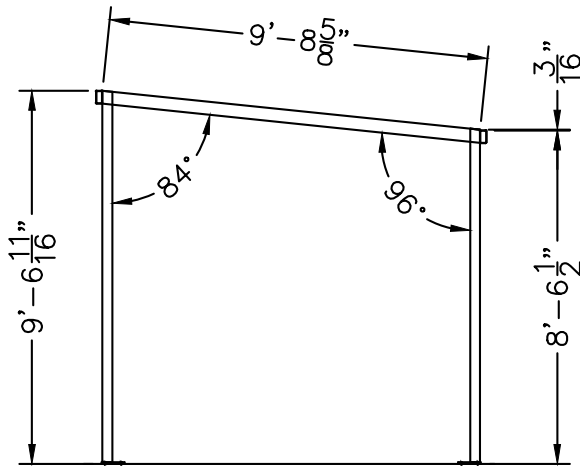
Designed for safety. Built for fun.



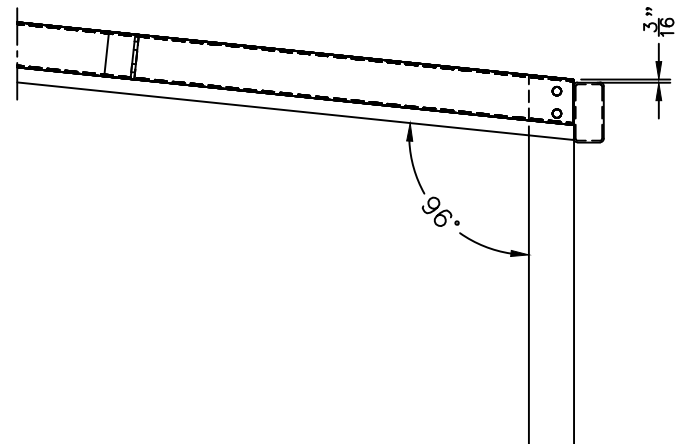
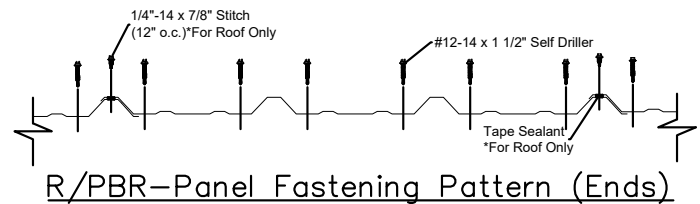
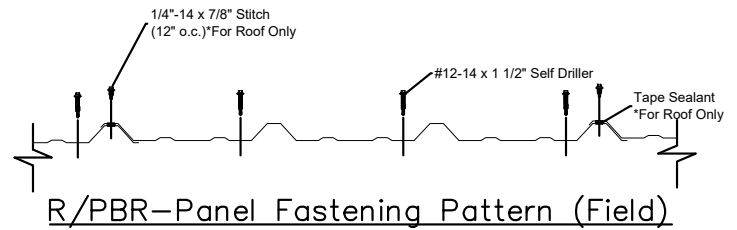
TOP VIEW

10'x32' Fielders Choice Dugout

Designed for safety. Built for fun.



SECTION VIEW



GENERAL NOTES:

CODES AND SPECIFICATIONS

- IBC 2018
- ASCE 7-16 MIN DESIGN LOADS FOR BUILDINGS AND OTHER STRUCTURES
- AISC 360-16 CODE OF STD PRACTICE FOR STEEL BUILDINGS

MATERIALS

- STEEL TUBES = ASTM A513 OR A500 MIN
- STEEL PLATE = A36 MIN
- FIELD BOLTS = 1/2" DIA A325 MIN, GALV
- ALL SHOP WELDS TO BE 3/16" FILLET UNLESS NOTED OTHERWISE

ROOF PANELS

- PBR PANEL 1-1/4"x24GAx36" COVER MFR BY METAL SALES OR EQUAL
- LENGTHS AS REQUIRED, 2-SPAN MIN

DESIGN LOADS

- ROOF LOAD
 - LIVE LOAD 20 PSF MIN (SNOW)
- WIND LOAD
 - BASIC WIND SPEED (ULTIMATE 3-SEC GUST) 115 MPH (90 MPH 3-SEC GUST ASD)
 - WIND EXPOSURE - C
 - Kz = 0.85
 - Kzt = 1.0
 - Kd = 0.85
 - G = 0.85

FOUNDATIONS

- CONCRETE SPECIFIED MINIMUM COMPRESSIVE STRENGTH OF 2,500PSI AT 28 DAYS
- CONCRETE REINFORCING STEEL SHALL CONFORM TO ASTM A615, GRADE 60
- ALLOWABLE SOIL BEARING PRESSURE (NET) - 1500 PSF
- CAST IN PLACE ANCHOR RODS = ASTM F1554 GR55, GALV, UNO
- FROST LINE DEPTH = 36"

MARK	QTY	DESCRIPTION	MATERIAL
E	8	ROOF EDGE	HSS 4 x 2 x 1/8
M	2	MID BEAMS	HSS 3 x 2 x 1/8
R	9	RAFTERS	HSS 3 x 2 x 1/8
C	8	COLUMNS	HSS 3 x 3 x 3/16
1	10	ROOF PANEL	24GA PBR PANEL
2	8	1/2x3-1/2 HEX BOLT SET	GR.5 ZINC
3	36	1/2x3-1/4 HEX BOLT SET	GR.5 ZINC
4	8	1/2x4-1/2 HEX BOLT SET	GR.5 ZINC
6	16	5/16 HOLLO BOLT SET	

10'x32' Fielders Choice Dugout