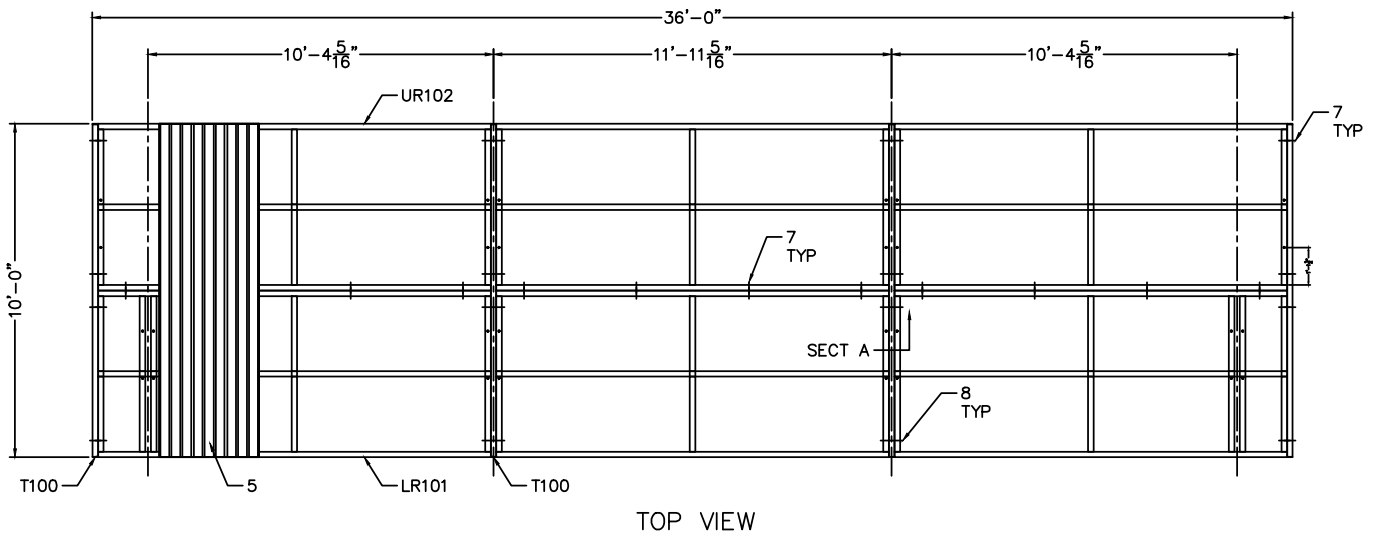
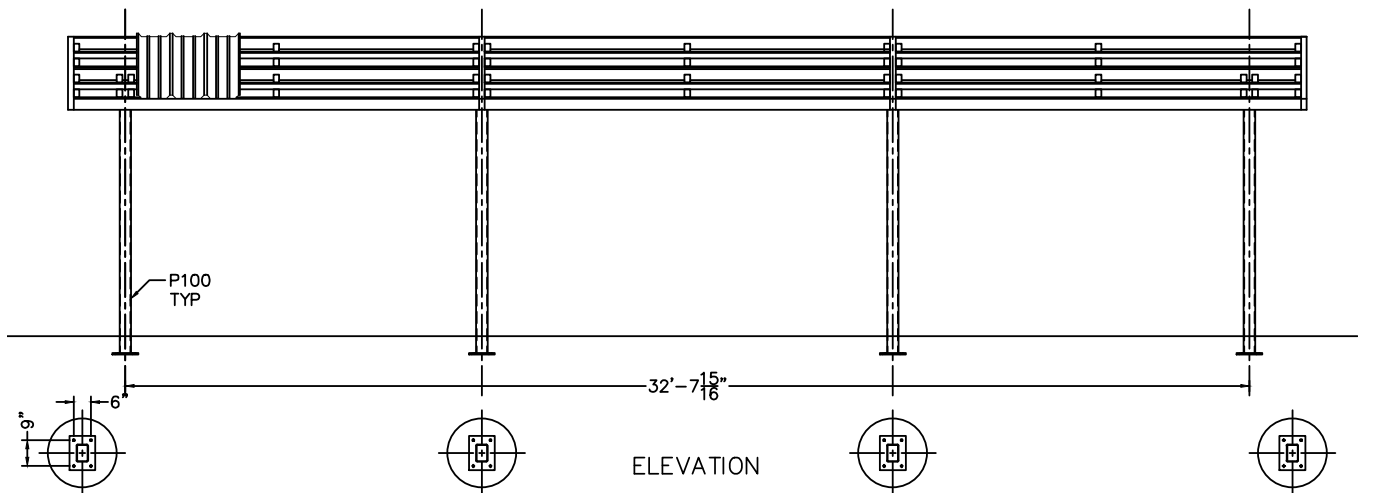
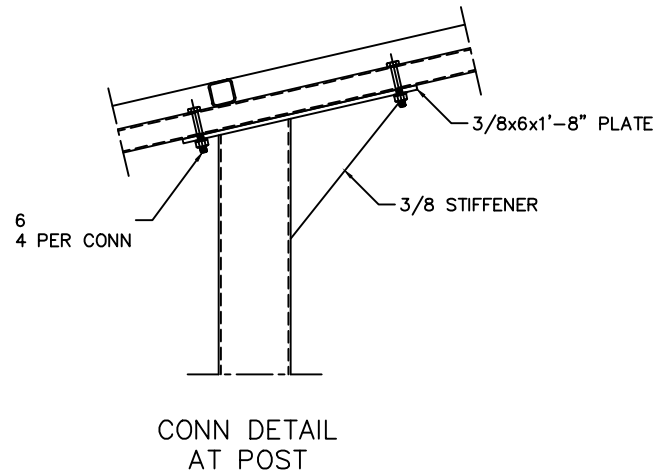
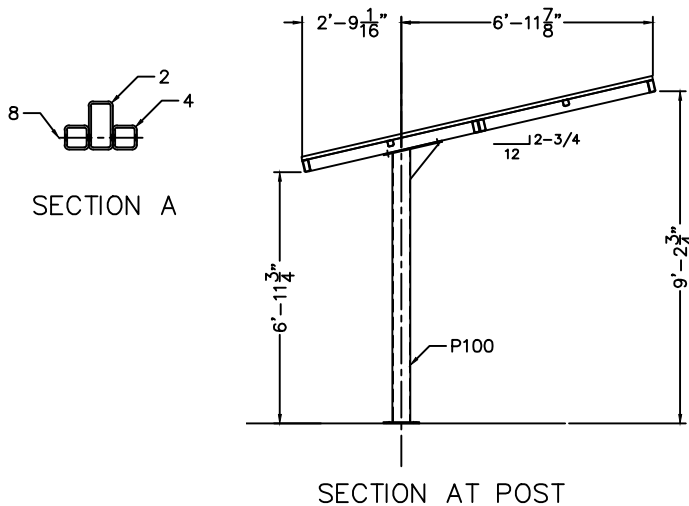


Designed for safety. Built for fun.



10' x 36' Cantilever Dugout

Designed for safety. Built for fun.



GENERAL NOTES:

CODES AND SPECIFICATIONS

1. IBC 2018
2. ASCE 7-16 MIN DESIGN LOADS FOR BUILDINGS AND OTHER STRUCTURES
3. AISC 360-16 CODE OF STD PRACTICE FOR STEEL BUILDINGS

MATERIALS

- STEEL TUBES = ASTM A513 OR A500 MIN
- STEEL PLATE = A36 MIN
- FIELD BOLTS = 1/2" DIA A325 MIN, GALV
- ALL SHOP WELDS TO BE 3/16" FILLET UNLESS NOTED OTHERWISE

ROOF PANELS

- PBR PANEL 1-1/4"x24GAx36" COVER MFR BY METAL SALES OR EQUAL
- LENGTHS AS REQUIRED, 2-SPAN MIN

DESIGN LOADS

1. ROOF LOAD
 - LIVE LOAD 20 PSF MIN (SNOW)
2. WIND LOAD
 - BASIC WIND SPEED (ULTIMATE 3-SEC GUST) 115 MPH (90 MPH 3-SEC GUST ASD)
 - WIND EXPOSURE - C
 - Kz = 0.85
 - Kzt = 1.0
 - Kd = 0.85
 - G = 0.85

FOUNDATIONS

1. CONCRETE SPECIFIED MINIMUM COMPRESSIVE STRENGTH OF 2,500PSI AT 28 DAYS
2. CONCRETE REINFORCING STEEL SHALL CONFORM TO ASTM A615, GRADE 60
3. ALLOWABLE SOIL BEARING PRESSURE (NET) - 1500 PSF
4. CAST IN PLACE ANCHOR RODS = ASTM F1554 GR55, GALV, UNO
5. FROST LINE DEPTH = 36"

MARK	QTY	DESCRIPTION	MATERIAL
P100	4	COLUMN	HSS 6 x 4 x 3/16
T100	4	PANEL END/SPACER	HSS 4 x 2 x 3/16
LR101	3	LOWER ROOF PANEL	HSS 4 x 2 & 2 x 2
R102	3	ROOF PANEL	HSS 4 x 2 & 2 x 2
5	12	ROOF PANEL	24GA PBR PANEL
6	16	1/2x3-1/2 HEX BOLT SET	A325 GALV
7	20	1/2x5 HEX BOLT SET	A325 GALV
8	8	1/2x7 HEX BOLT SET	A325 GALV