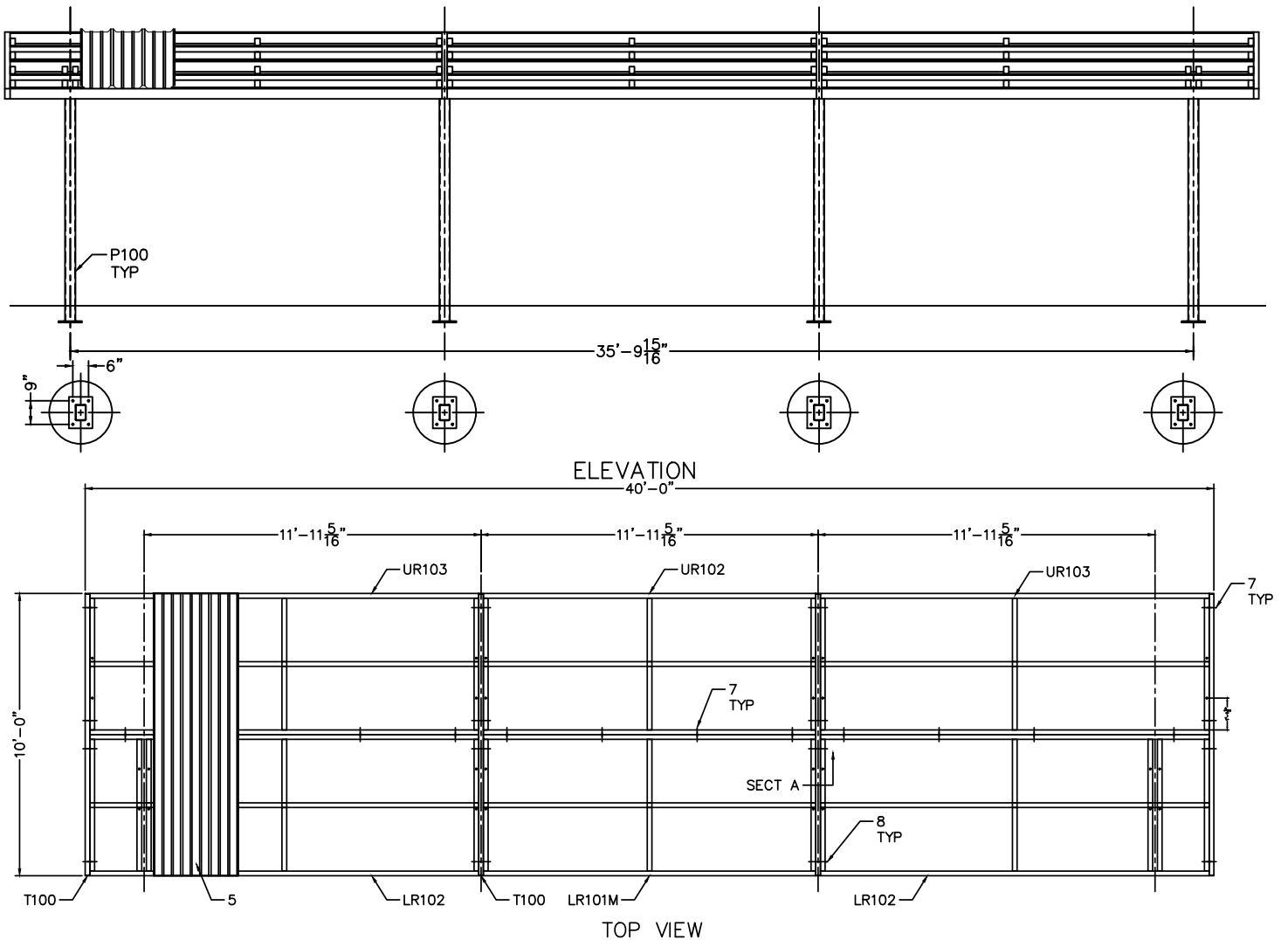
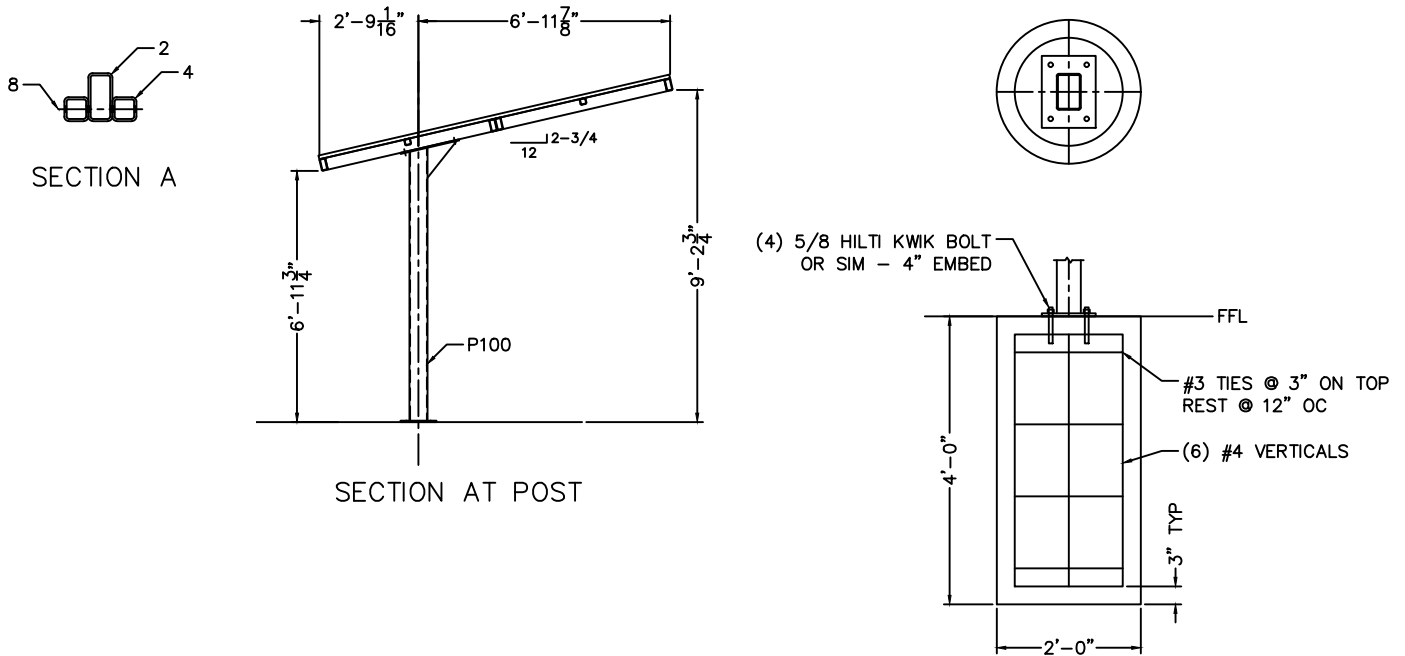


Designed for safety. Built for fun.



10' x 40' Cantilever Dugout

Designed for safety. Built for fun.



GENERAL NOTES:

CODES AND SPECIFICATIONS

1. IBC 2018
2. ASCE 7-16 MIN DESIGN LOADS FOR BUILDINGS AND OTHER STRUCTURES
3. AISC 360-16 CODE OF STD PRACTICE FOR STEEL BUILDINGS

MATERIALS

- STEEL TUBES = ASTM A513 OR A500 MIN
- STEEL PLATE = A36 MIN
- FIELD BOLTS = 1/2" DIA A325 MIN, GALV
- ALL SHOP WELDS TO BE 3/16" FILLET UNLESS NOTED OTHERWISE

ROOF PANELS

- PBR PANEL 1-1/4"x24GAx36" COVER MFR BY METAL SALES OR EQUAL
- LENGTHS AS REQUIRED, 2-SPAN MIN

DESIGN LOADS

1. ROOF LOAD
 - LIVE LOAD 20 PSF MIN (SNOW)
2. WIND LOAD
 - BASIC WIND SPEED (ULTIMATE 3-SEC GUST) 115 MPH (90 MPH 3-SEC GUST ASD)
 - WIND EXPOSURE - C
 - Kz = 0.85
 - Kzt = 1.0
 - Kd = 0.85
 - G = 0.85

FOUNDATIONS

1. CONCRETE SPECIFIED MINIMUM COMPRESSIVE STRENGTH OF 2,500PSI AT 28 DAYS
2. CONCRETE REINFORCING STEEL SHALL CONFORM TO ASTM A615, GRADE 60
3. ALLOWABLE SOIL BEARING PRESSURE (NET) - 1500 PSF
4. CAST IN PLACE ANCHOR RODS = ASTM F1554 GR55, GALV, UNO
5. FROST LINE DEPTH = 36"

| MARK | QTY | DESCRIPTION | MATERIAL |
|-------|-----|------------------------|-------------------|
| P100 | 4 | COLUMN | HSS 6 x 4 x 3/16 |
| T100 | 4 | PANEL END/SPACER | HSS 4 x 2 x 3/16 |
| LR101 | 3 | LOWER ROOF PANEL | HSS 4 x 2 & 2 x 2 |
| LR102 | 3 | LOWER ROOF PANEL | HSS 4 x 2 & 2 x 2 |
| UR102 | 1 | ROOF PANEL | HSS 4 x 2 & 2 x 2 |
| UR103 | 2 | ROOF PANEL | HSS 4 x 2 & 2 x 2 |
| 5 | 12 | ROOF PANEL | 24GA PBR PANEL |
| 6 | 16 | 1/2x3-1/2 HEX BOLT SET | A325 GALV |
| 7 | 20 | 1/2x5 HEX BOLT SET | A325 GALV |
| 8 | 8 | 1/2x7 HEX BOLT SET | A325 GALV |