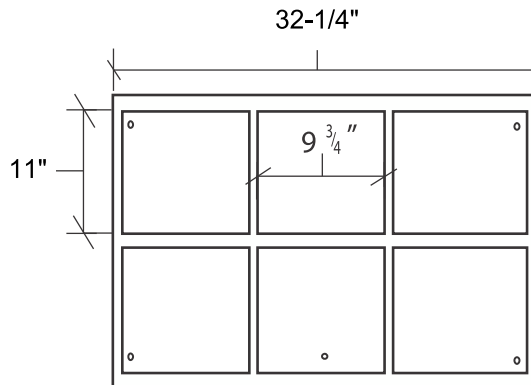
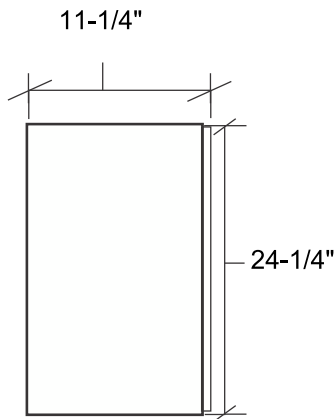
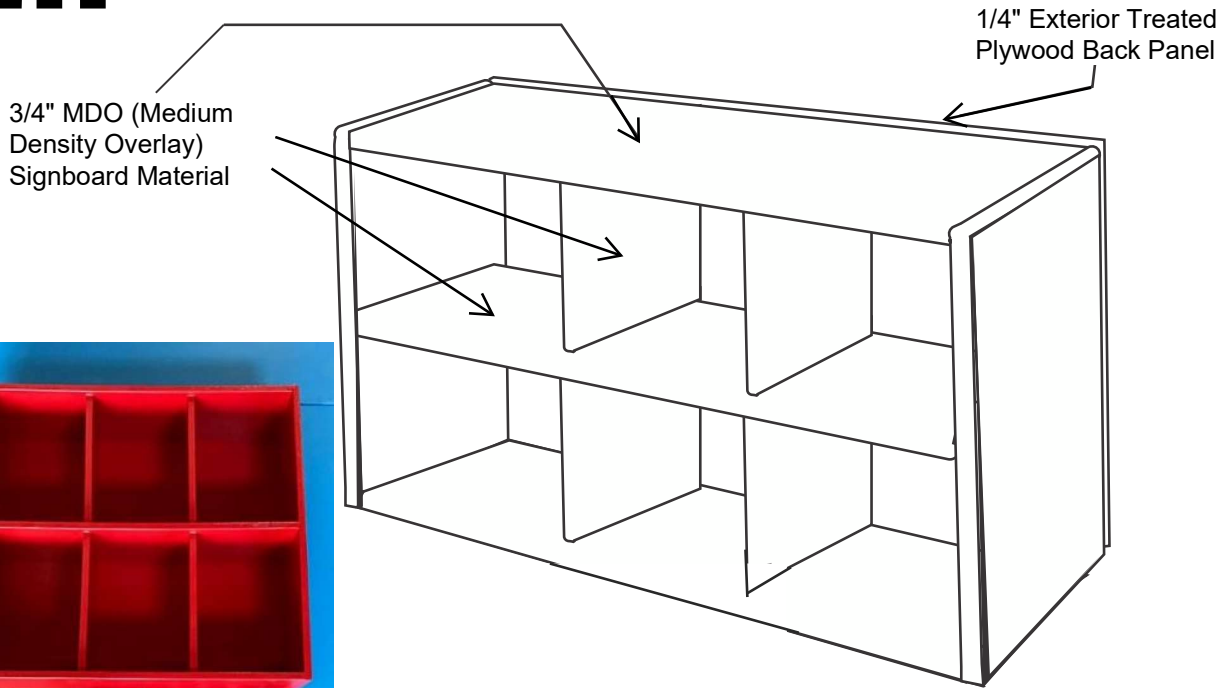


Designed for safety. Built for fun.

6-211

*Images not to scale



Proprietary Notice

Information within this document is the property of PYT Sports Inc. Any reproduction, in part or as a whole, without the written permission of PYT Sports Inc. is strictly prohibited

*Includes hardware for concrete block attachment. Fence attachment option (upgraded 1/2" MDO back and fence attachment hardware) is also available upon request at a minimal fee.

Painted With Two Coats Of Exterior Enamel Paint
Mounting Styles Available For: Concrete Block, Wood Or Fence Dugouts
No Assembly Required
Each Order Includes One Can of "Touch Up" Paint For Post Installation

6-211 Helmet Rack