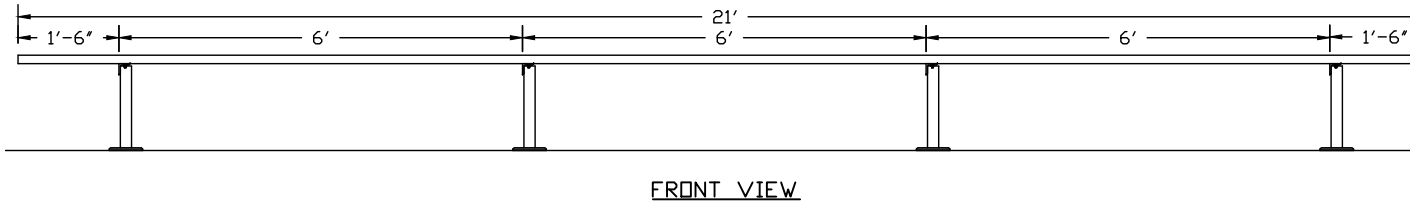


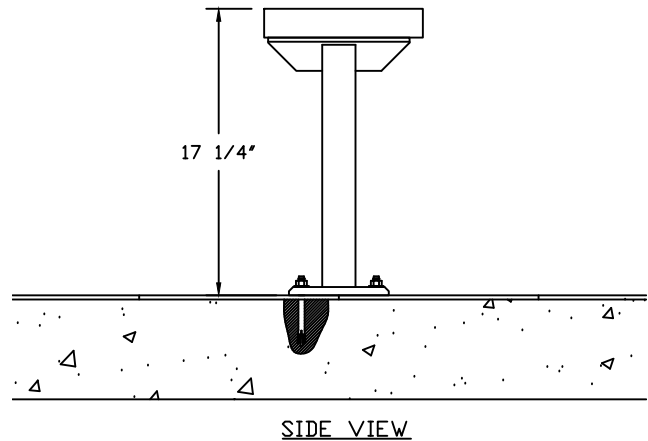
*Designed for safety. Built for fun.*



GENERAL SPECIFICATIONS

- ALL ALUMINUM UNDERSTRUCTURE
- ALUMINUM 2" x 2" TUBE LEG
- ALUMINUM 1/2" THICK BASE PLATE
- 2x10 ANODIZED SEAT PLANK
- CONCRETE ANCHORS INCLUDED

NET SEATING CAPACITY - 014



The Manufacturer warrants its bleacher products to be free from defects in materials and workmanship for a period of five (5) years beginning with the date the product is completed at the job site. Product installation can be performed by factory trained personnel or by the customer personnel following the detailed assembly instructions of the manufacturer. This warranty excludes all other defects resulting from abnormal use or abuse, accidental damage or any occurrences beyond the manufacturers control.