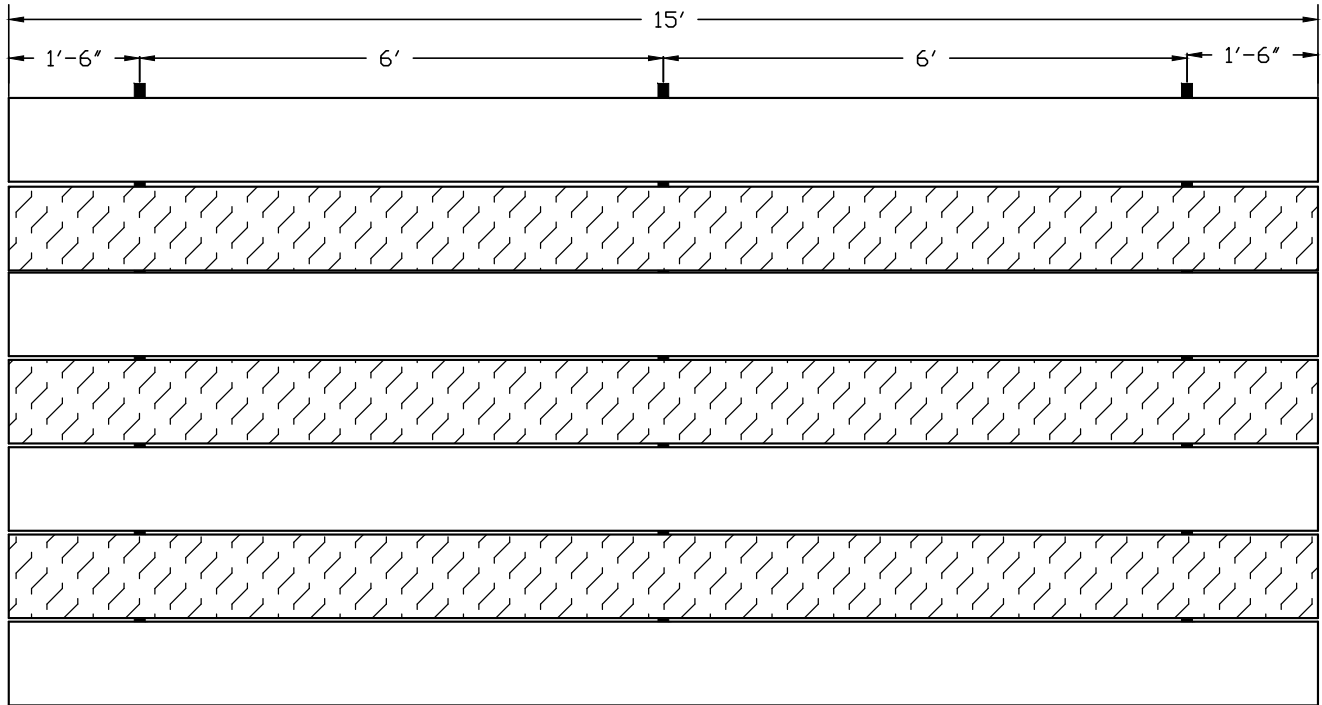


Designed for safety. Built for fun.

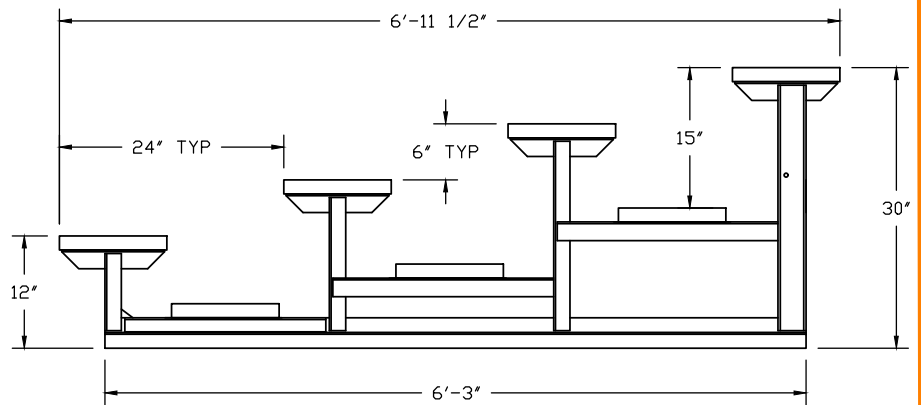


1 PLAN VIEW
NO SCALE

GENERAL SPECIFICATIONS

- ALL ALUMINUM UNDERSTRUCTURE
- RISE - 6"
- RUN - 24"
- TREATED WOOD GROUND SILLS
- 2x12 ANODIZED SEAT PLANK
- SINGLE 2x12 FOOTBOARDS - ALL ROWS
- RECOMMEND CONCRETE PAD FOR ANCHORAGE (BY OTHERS)

NET SEATING CAPACITY - 40



2 SIDE VIEW
NO SCALE

The Manufacturer warrants its bleacher products to be free from defects in materials and workmanship for a period of five (5) years beginning with the date the product is completed at the job site. Product installation can be performed by factory trained personnel or by the customer personnel following the detailed assembly instructions of the manufacturer. This warranty excludes all other defects resulting from abnormal use or abuse, accidental damage or any occurrences beyond the manufacturers control.

4 Row x 15' Bleacher