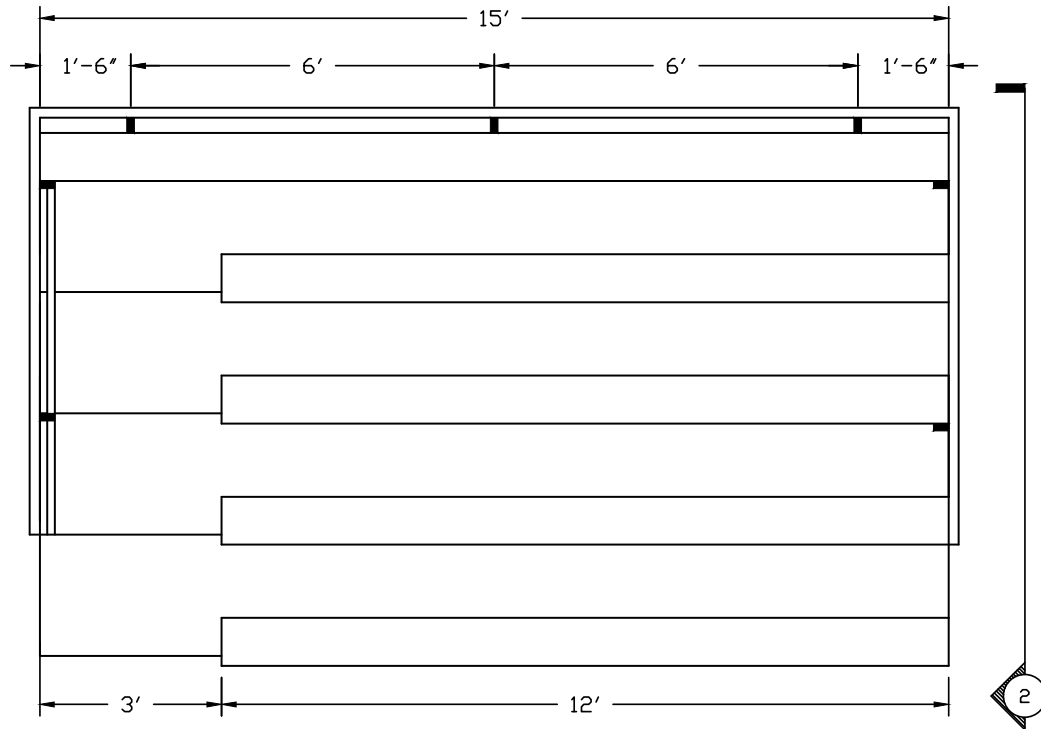
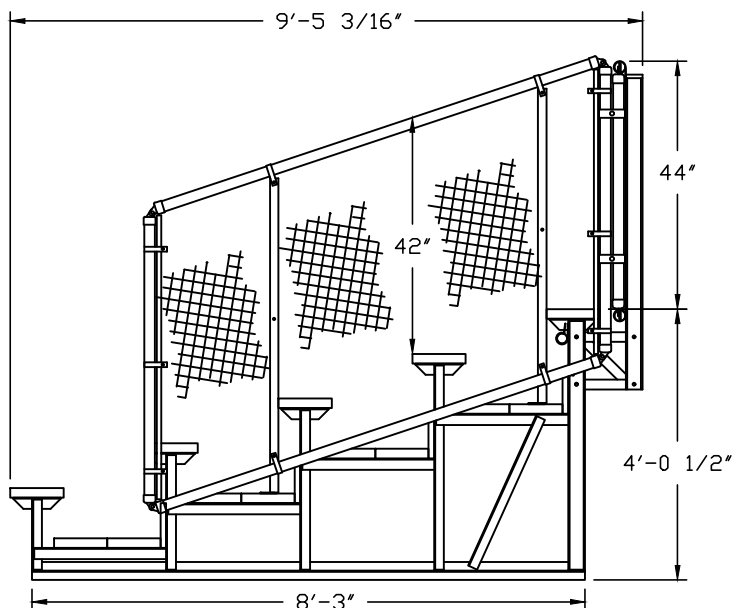


Designed for safety. Built for fun.



1 PLAN VIEW
NO SCALE



2 SIDE VIEW
NO SCALE

GENERAL SPECIFICATIONS

- ALL ALUMINUM UNDERSTRUCTURE
- RISE - 8", RUN - 24"
- TREATED WOOD GROUND SILLS
- 2x10 ANODIZED SEAT PLANK
- DOUBLE 2x10 FOOTBOARDS - ALL ROWS
- RISER ENCLOSURE - ALL ROWS
- RISER CLOSURE RAIL - TOP ROW ONLY
- (1) 3' END AISLE, ENCLOSED W/HAND RAILS
- COLORED NOSE MARKINGS
- CHAIN LINK FENCE SECURITY - (4" BALL) - DOWN TO ROW 2
- RECOMMEND CONCRETE PAD FOR ANCHORAGE (BY OTHERS)

NOTE:

PLEASE SPECIFY WHICH SIDE IS PREFERRED FOR AISLE LOCATION.

CODE COMPLIANCE - IBC

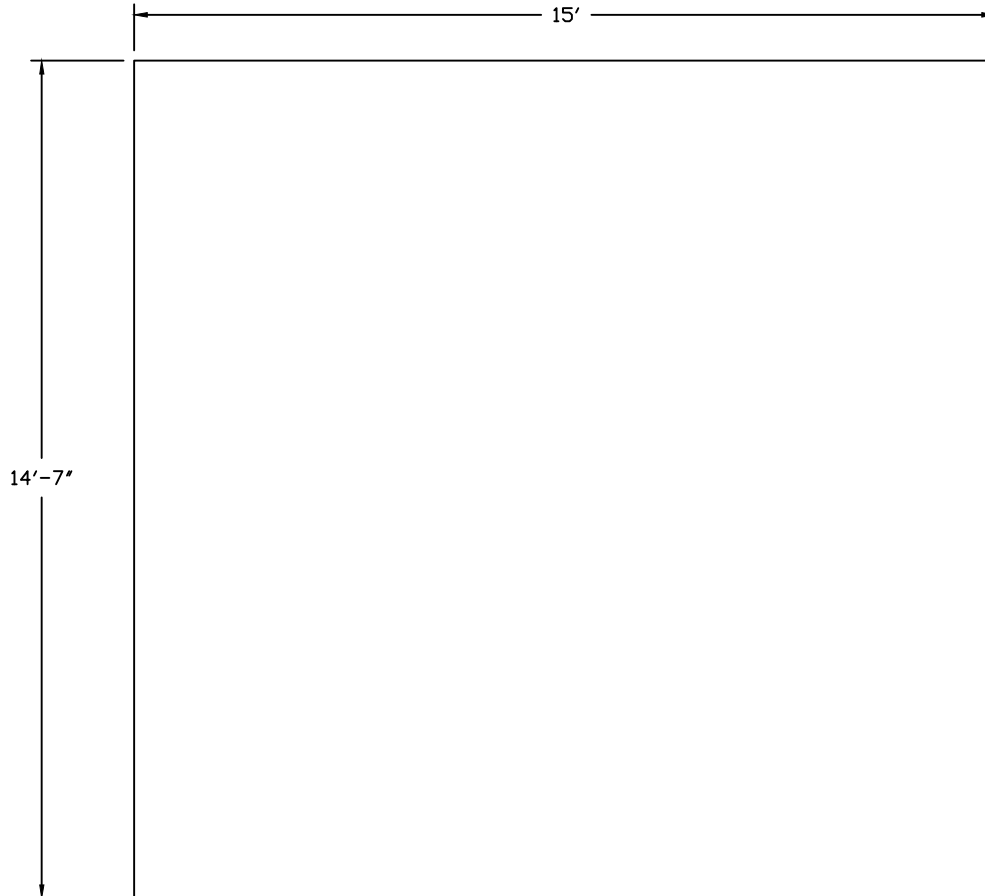
NET SEATING CAPACITY - 42

AASI GUARANTEES THE MATERIAL, WORKMANSHIP & MISCELLANEOUS COMMODITIES USED IN ITS PRODUCTS TO BE FREE OF DEFECTS FOR A PERIOD OF (5) YEARS AND BEGINS AT THE TIME OF PURCHASE. THIS WARRANTY WILL BE NULL & VOID AS A RESULT OF MISUSE OR ABUSE, PRODUCT ALTERATIONS, CHANGES, OR DAMAGES.

5 Row x 15' Bleacher w/End Aisle

Designed for safety. Built for fun.

CONCRETE LAYOUT



 - INDICATES CONCRETE SAW CUTS

CONCRETE RECOMMENDATION

- CONSTRUCTION SITE SHALL BE WELL DRAINED
- FILL SHALL BE CLEAN & FIRMLY COMPACTED
- CONCRETE SHALL BE 3000 PSI MIX
- 5" MINIMUM THICKNESS
- PAD SHALL HAVE REINFORCING WIRE
- ESTIMATED CONCRETE VOLUME:
 (219 TOTAL PAD SQ. FT)
 3.4 CU. YDS.

NOTICE:

THIS CONCRETE DESIGN RECOMMENDATION IS CALCULATED ASSUMING A 2500 P.S.F. SOIL BEARING CAPACITY & WILL PREVENT THE ANCHORED UNIT FROM OVERTURN. THE CUSTOMER IS SOLELY RESPONSIBLE FOR THE FINAL DESIGN & SITE PREPARATION TO LOCAL CODES & ORDINANCES. A LOCAL CONCRETE CONTRACTOR WILL BE A VALUED SOURCE IN THE DETERMINATION.