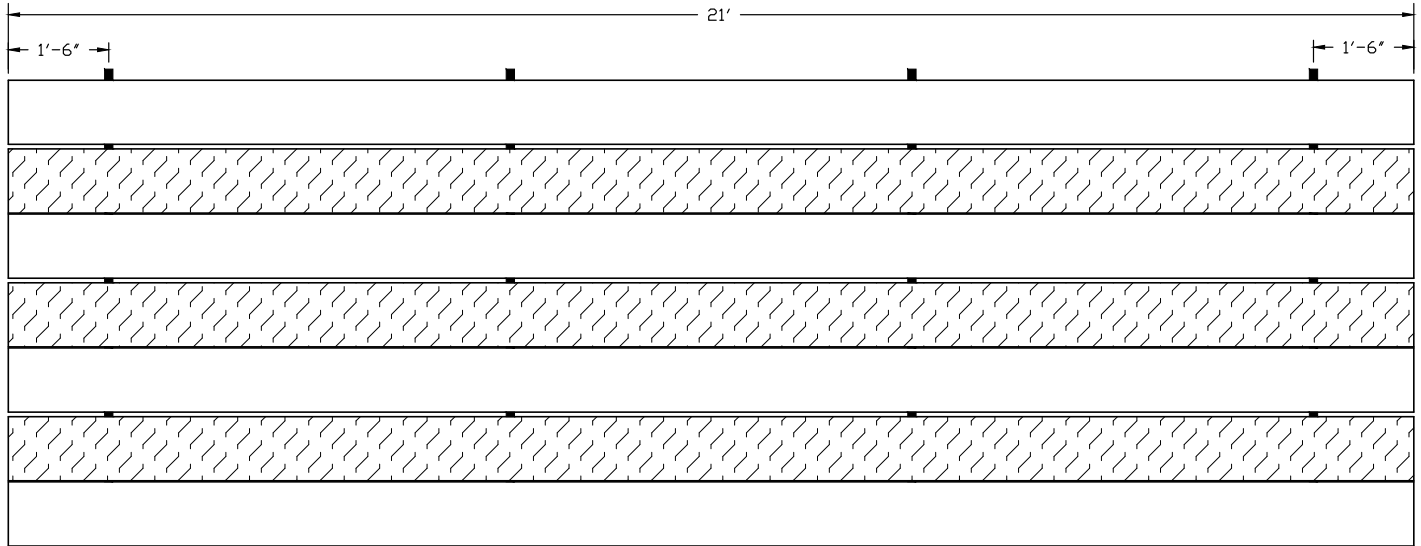
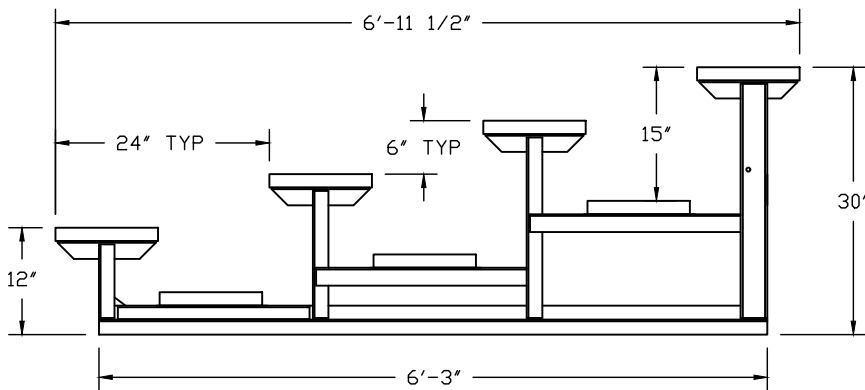


Designed for safety. Built for fun.



PLAN VIEW



SIDE VIEW

GENERAL SPECIFICATIONS

- ALL ALUMINUM UNDERSTRUCTURE
- RISE - 6"
- RUN - 24"
- 2x12 ANODIZED SEAT PLANK
- 2x12 MILL FOOTBOARDS
- TREATED WOOD GROUND SILLS
- RECOMMEND CONCRETE PAD FOR ANCHORAGE (BY OTHERS)

NET SEATING CAPACITY - 56

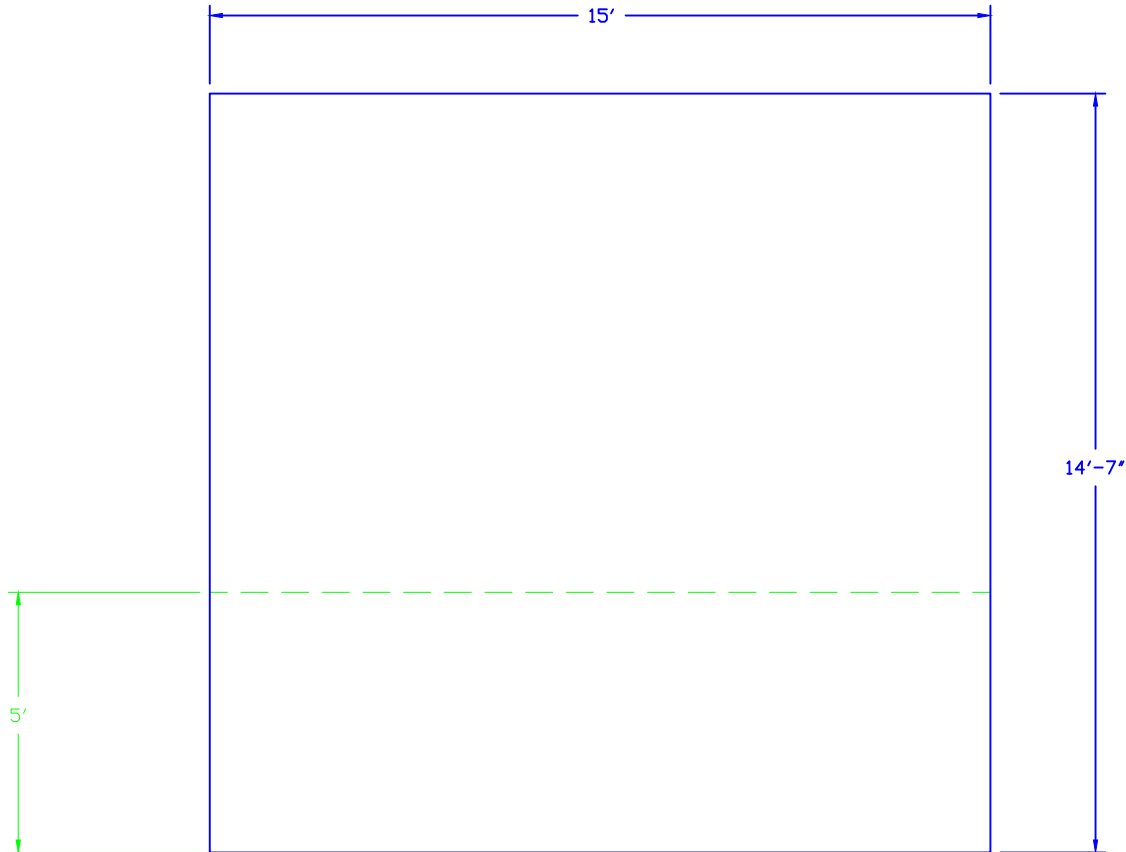
CODE COMPLIANCE - BOCA, UBC, IBC

AASI GUARANTEES THE MATERIAL, WORKMANSHIP & MISCELLANEOUS COMMODITIES USED IN ITS PRODUCTS TO BE FREE OF DEFECTS FOR A PERIOD OF (5) YEARS AND BEGINS AT THE TIME OF PURCHASE. THIS WARRANTY WILL BE NULL & VOID AS A RESULT OF MISUSE OR ABUSE, PRODUCT ALTERATIONS, CHANGES, OR DAMAGES.

5 Row x 15' Bleacher w/No Aisle

Designed for safety. Built for fun.

CONCRETE LAYOUT



 - INDICATES CONCRETE SAW CUTS

CONCRETE RECOMMENDATION

- CONSTRUCTION SITE SHALL BE WELL DRAINED
- FILL SHALL BE CLEAN & FIRMLY COMPACTED
- CONCRETE SHALL BE 3000 PSI MIX
- 5" MINIMUM THICKNESS
- PAD SHALL HAVE REINFORCING WIRE
- ESTIMATED CONCRETE VOLUME:
(219 TOTAL PAD SQ. FT)
3.4 CU. YDS.

NOTICE:

THIS CONCRETE DESIGN RECOMMENDATION IS CALCULATED ASSUMING A 2500 P.S.F. SOIL BEARING CAPACITY & WILL PREVENT THE ANCHORED UNIT FROM OVERTURN. THE CUSTOMER IS SOLELY RESPONSIBLE FOR THE FINAL DESIGN & SITE PREPARATION TO LOCAL CODES & ORDINANCES. A LOCAL CONCRETE CONTRACTOR WILL BE A VALUED SOURCE IN THE DETERMINATION.