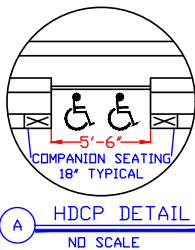
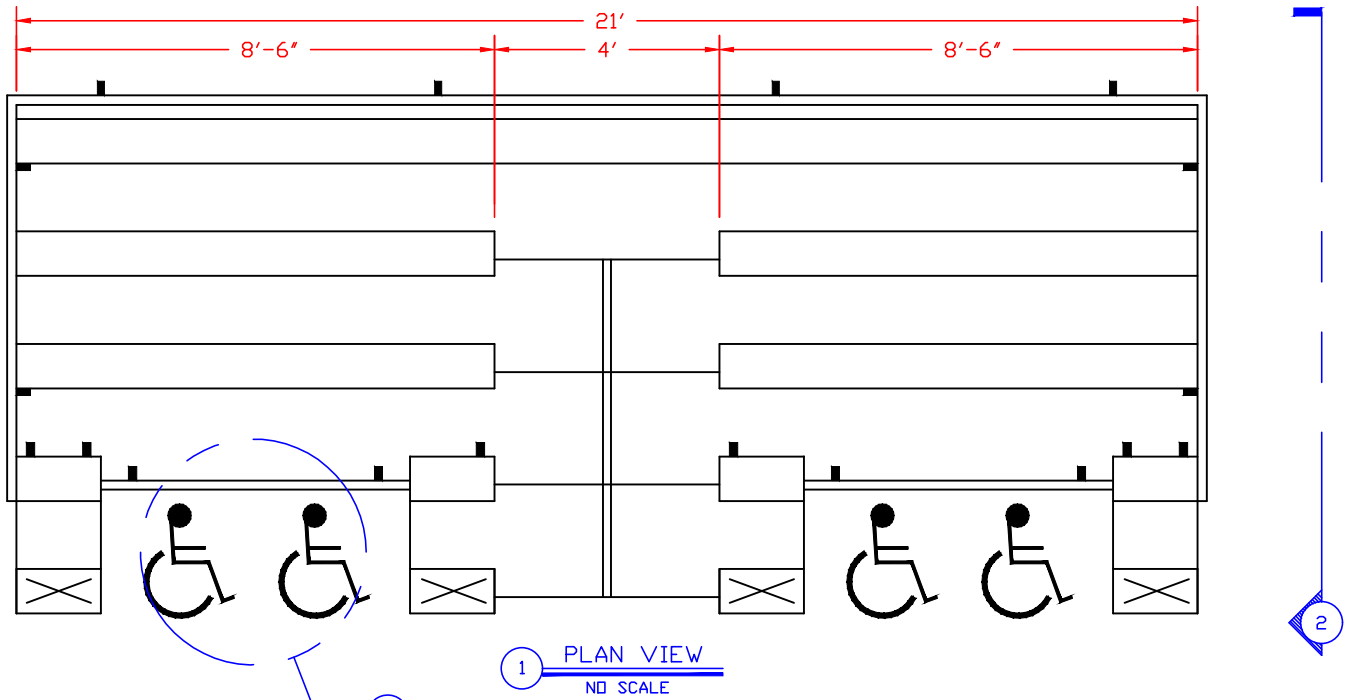
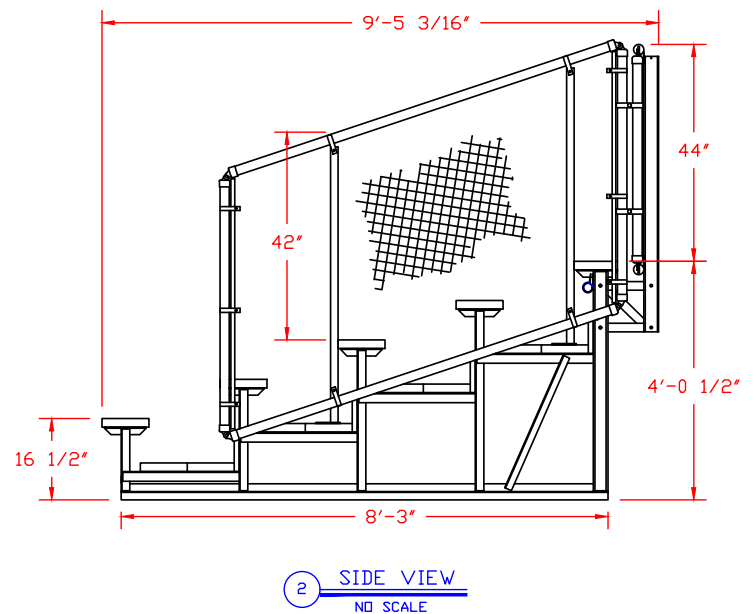


*Designed for safety. Built for fun.*



GENERAL SPECIFICATIONS

- ALL ALUMINUM UNDERSTRUCTURE
- RISE - 8", RUN - 24"
- TREATED WOOD GROUND SILLS
- 2x10 ANODIZED SEAT PLANK
- DOUBLE 2x10 FOOTBOARDS - ALL ROWS
- RISER ENCLOSURE - ALL ROWS
- RISER CLOSURE RAIL - TOP ROW ONLY
- (1) 4' AISLE, ENCLOSED W/HAND RAILS
- NON-SLIP COLORED NOSE MARKINGS
- (2) 2X HDCP NOTCHES
- CHAIN LINK FENCE SECURITY - (4" BALL)
- RECOMMEND CONCRETE PAD FOR ANCHORAGE (BY OTHERS)



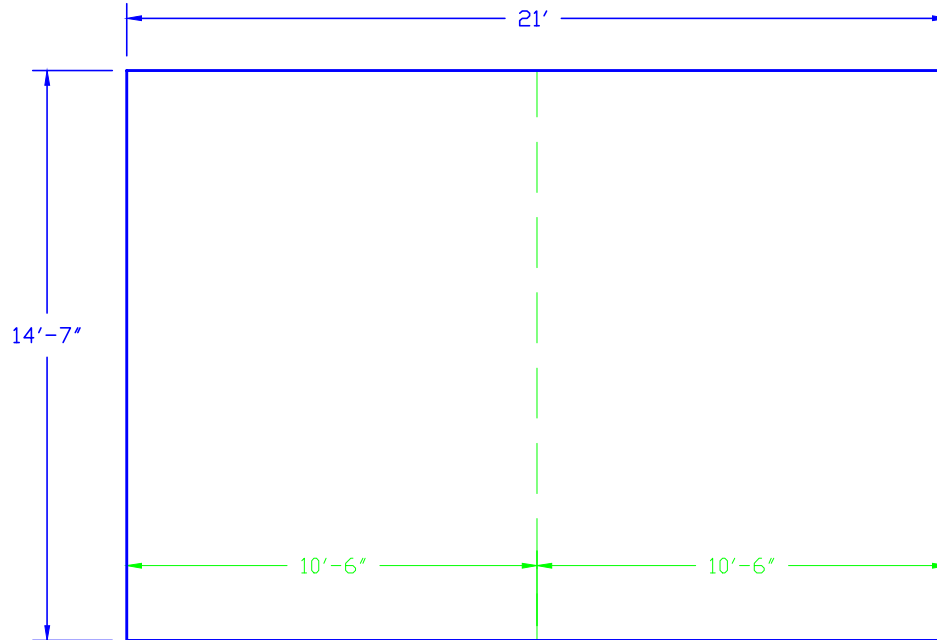
**CODE COMPLIANCE - IBC & ADA**

NET SEATING CAPACITY - 038  
+ HDCP - 4  
+ HDCP COMPANION - 4  
TOTAL - 046 SPECTATORS

AASI. GUARANTEES THE MATERIAL, WORKMANSHIP & MISCELLANEOUS COMMODITIES USED IN ITS PRODUCTS TO BE FREE OF DEFECTS FOR A PERIOD OF (5) YEARS AND BEGINS AT THE TIME OF PURCHASE. THIS WARRANTY WILL BE NULL & VOID AS A RESULT OF MISUSE OR ABUSE, PRODUCT ALTERATIONS, CHANGES, OR DAMAGES.

**5 Row x 21' Bleachers w/4 ADA Seating Areas**

*Designed for safety. Built for fun.*



 - INDICATES CONCRETE SAW CUTS

CONCRETE RECOMMENDATION

- CONSTRUCTION SITE SHALL BE WELL DRAINED
- FILL SHALL BE CLEAN & FIRMLY COMPACTED
- CONCRETE SHALL BE 3000 PSI MIX
- 5" MINIMUM THICKNESS
- PAD SHALL HAVE REINFORCING WIRE
- ESTIMATED CONCRETE VOLUME:  
(306 TOTAL PAD SQ. FT)  
4.7 CU. YDS.

**NOTICE:**

***THIS CONCRETE DESIGN RECOMMENDATION IS CALCULATED ASSUMING A 2500 P.S.F. SOIL BEARING CAPACITY & WILL PREVENT THE ANCHORED UNIT FROM OVERTURN. THE CUSTOMER IS SOLELY RESPONSIBLE FOR THE FINAL DESIGN & SITE PREPARATION TO LOCAL CODES & ORDINANCES. A LOCAL CONCRETE CONTRACTOR WILL BE A VALUED SOURCE IN THE DETERMINATION.***