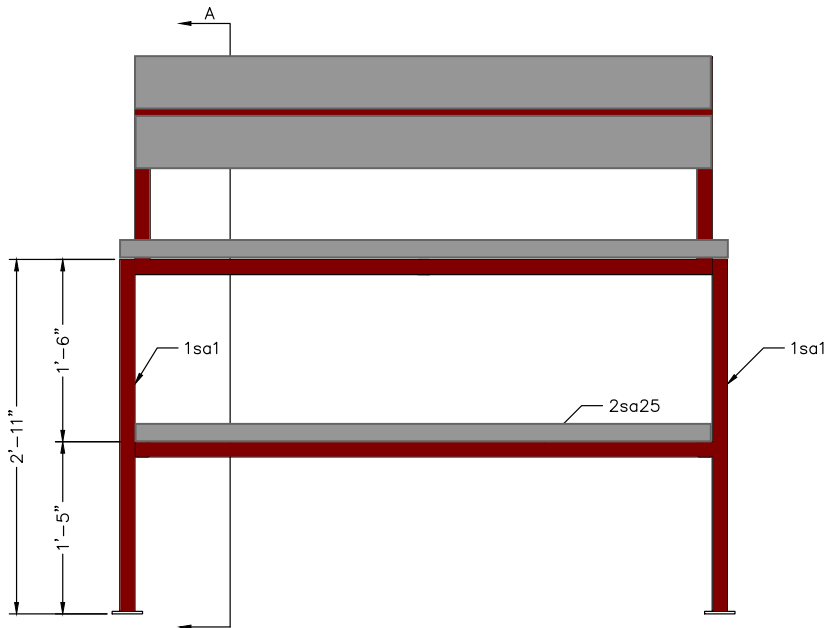
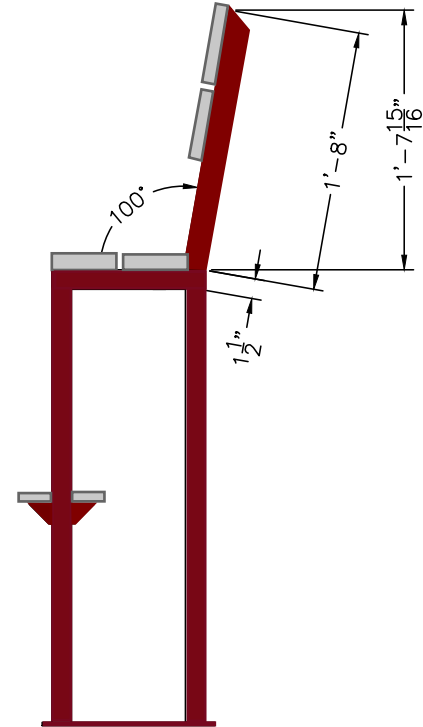


*Designed for safety. Built for fun.*

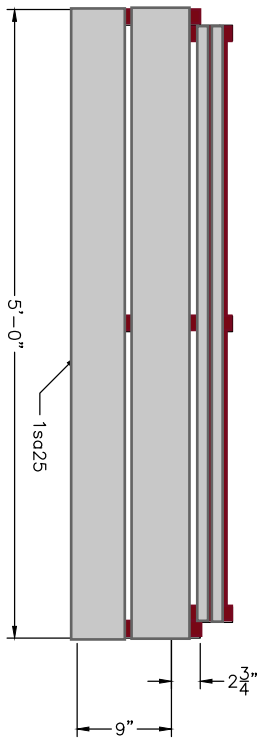


(1) 5' ELEVATED BENCH

Top View



SECTION A



## 5' Elevated Dugout Bench