

*Designed for safety. Built for fun.*

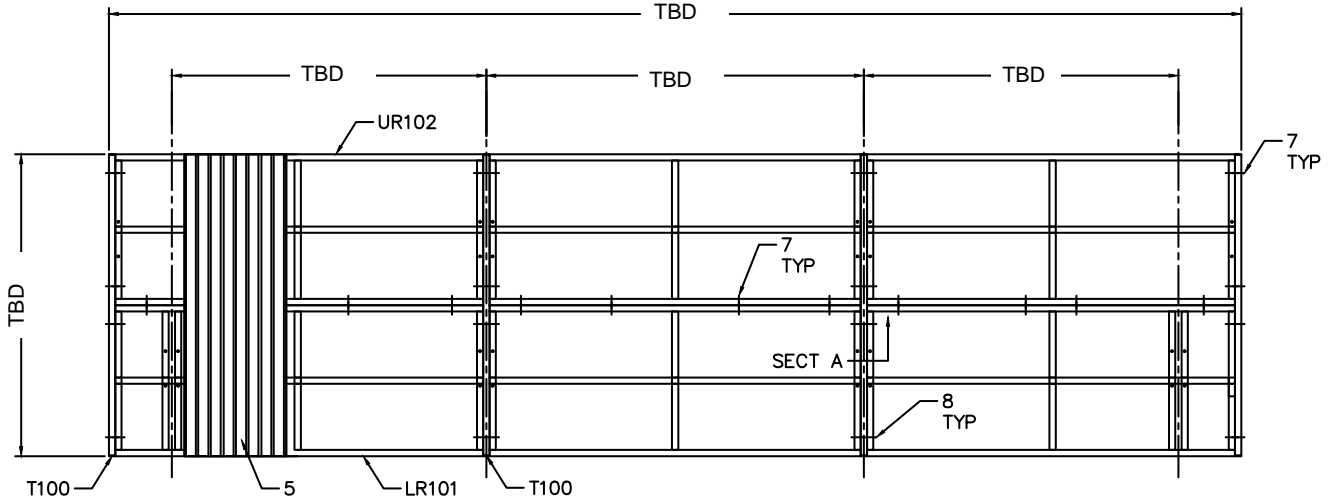


FC Cantilever Style Dugouts are very versatile. As a dugout, they can stand alone or be incorporated into a CMU wall structure. Our cantilever structures have also been used as shade structures over bleachers, tennis court benches, and swimming pool decks.

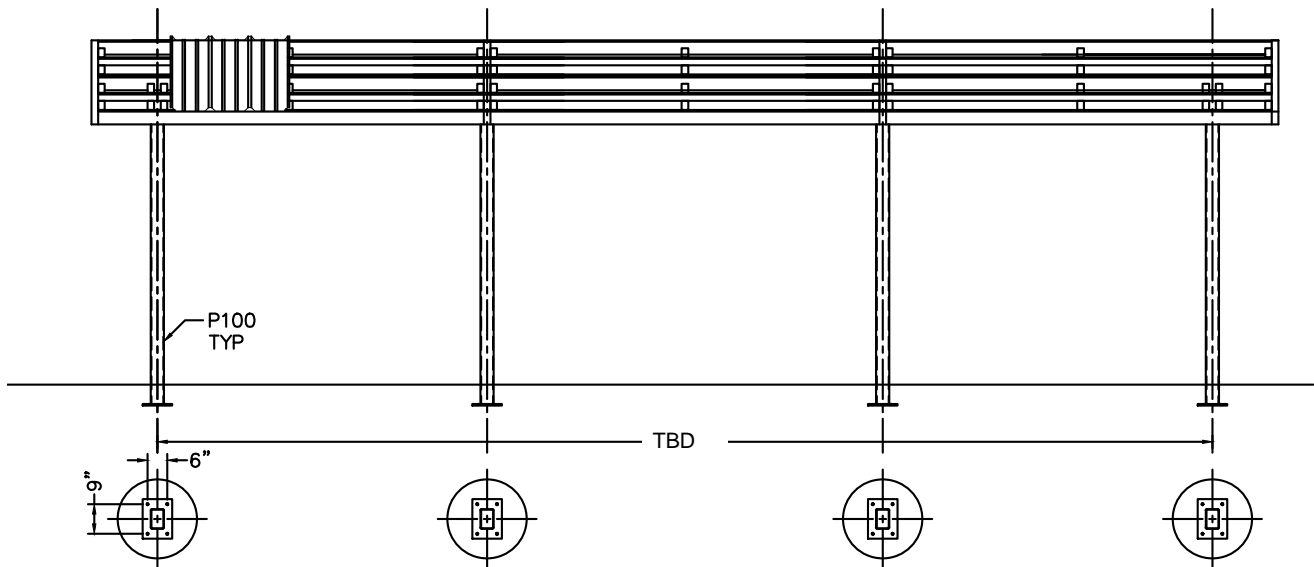
#### Features:

Pre-engineered steel structures can be designed to the size needed to fit the need. The frame is finished with Industrial Tnemec paint and backed by a 40-year finish warranty. 24 gauge metal roof is dent resistant & heavy load bearing compared to most competitive systems 26 or 29 gauge metal roofs. Available in many color & trim options. 10-year material warranty. Easy assembly with limited personnel. All parts are marked for assembly and come with simple to follow step by step instructions.

*Designed for safety. Built for fun.*

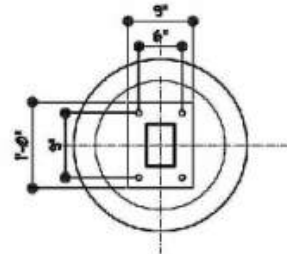
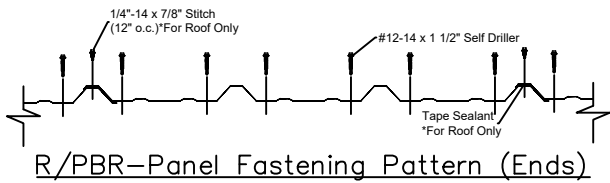
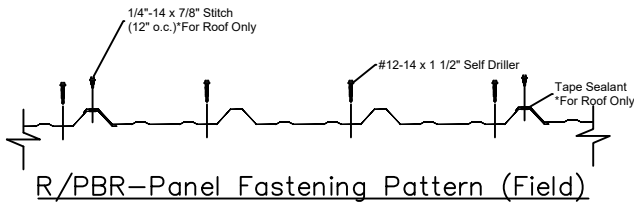
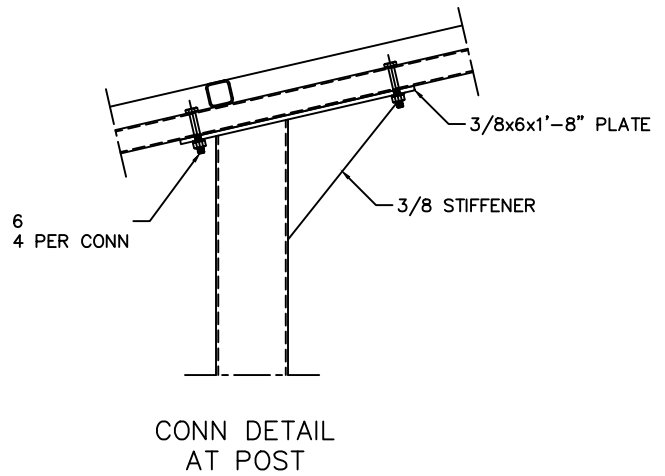
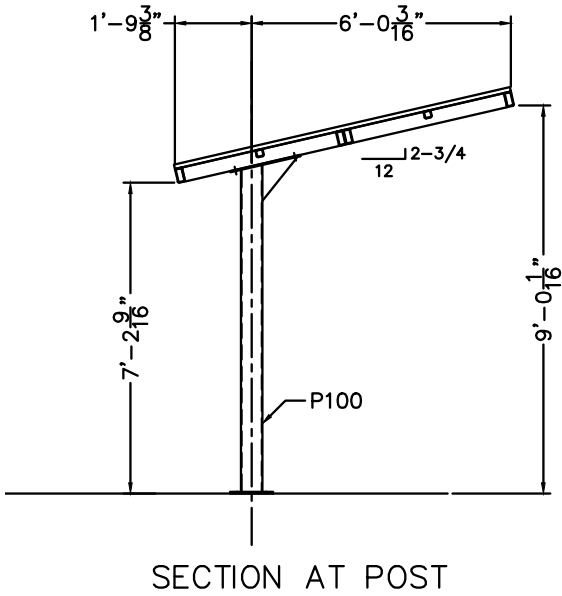


TOP VIEW



ELEVATION

Designed for safety. Built for fun.



*Designed for safety. Built for fun.*

GENERAL NOTES:

CODES AND SPECIFICATIONS

1. IBC 2018
2. ASCE 7-16 MIN DESIGN LOADS FOR BUILDINGS AND OTHER STRUCTURES
3. AISC 360-16 CODE OF STD PRACTICE FOR STEEL BUILDINGS

MATERIALS

- STEEL TUBES = ASTM A513 OR A500 MIN
- STEEL PLATE = A36 MIN
- FIELD BOLTS = 1/2" DIA A325 MIN, GALV
- ALL SHOP WELDS TO BE 3/16" FILLET UNLESS NOTED OTHERWISE

ROOF PANELS

- PBR PANEL 1-1/4"x24GAx36" COVER MFR BY METAL SALES OR EQUAL
- LENGTHS AS REQUIRED, 2-SPAN MIN

DESIGN LOADS

1. ROOF LOAD
  - LIVE LOAD 20 PSF MIN (SNOW)
2. WIND LOAD
  - BASIC WIND SPEED (ULTIMATE 3-SEC GUST) 115 MPH (90 MPH 3-SEC GUST ASD)
  - WIND EXPOSURE - C
  - $K_z = 0.85$
  - $K_{zt} = 1.0$
  - $K_d = 0.85$
  - $G = 0.85$

FOUNDATIONS

1. CONCRETE SPECIFIED MINIMUM COMPRESSIVE STRENGTH OF 2,500PSI AT 28 DAYS
2. CONCRETE REINFORCING STEEL SHALL CONFORM TO ASTM A615, GRADE 60
3. ALLOWABLE SOIL BEARING PRESSURE (NET) - 1500 PSF
4. CAST IN PLACE ANCHOR RODS = ASTM F1554 GR55, GALV, UNO
5. FROST LINE DEPTH = 36"