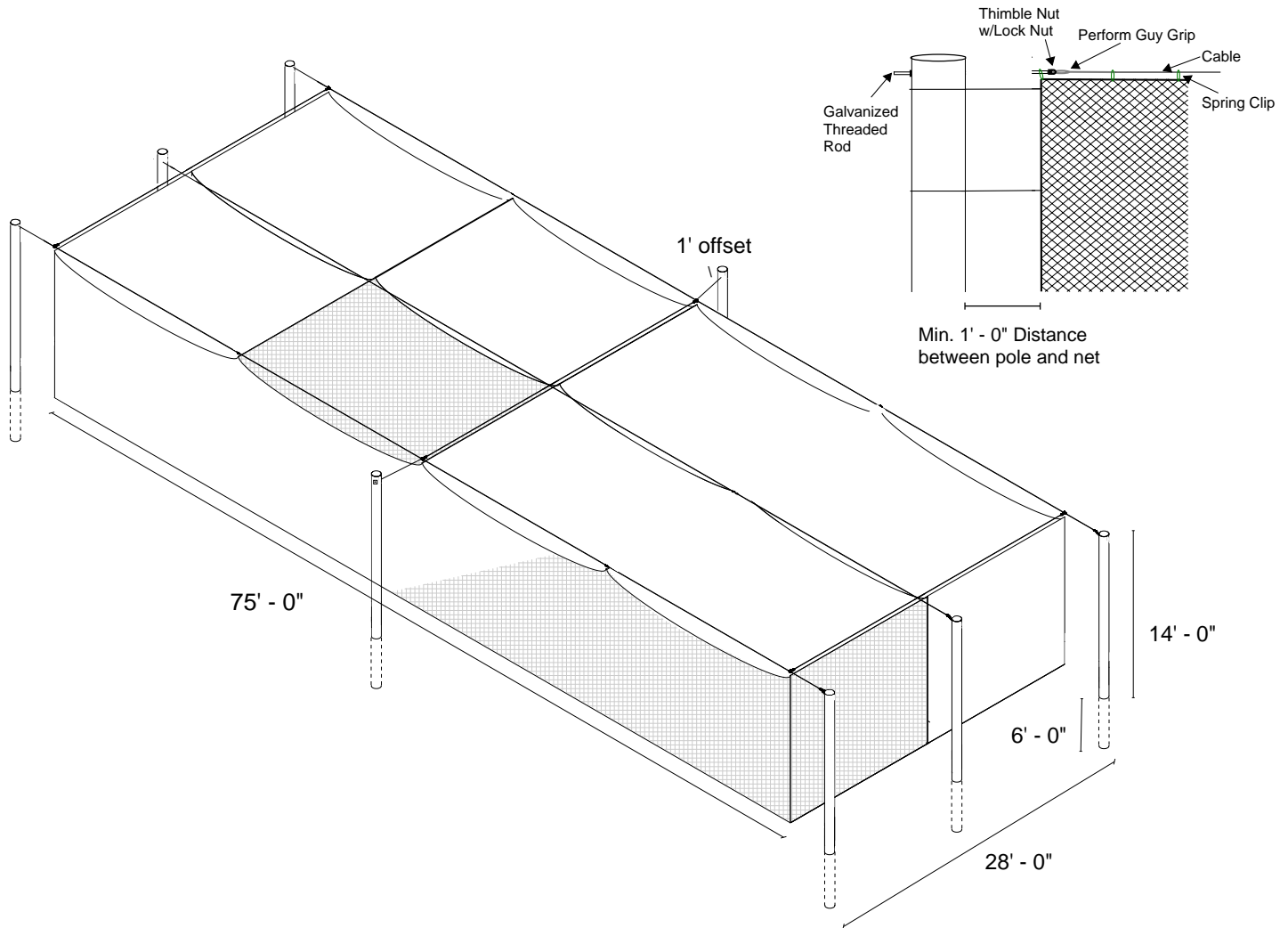


Designed for safety. Built for fun.



Notes:

- *8.625" dia. poles that conform to requirements of ASTM A572 Grade or as an alternative ASTM A252.
- *Poles covered in Stealth Black paint.
- *#36 or #42 knotted nylon baseball netting.
- *24" dia. footings with 2500 Psi concrete.



Double Hack Shack 75'