

Designed for safety. Built for fun.



FC Dugout Covers can be easily customizable to retro fit a chain link fence enclosed dugout or incorporated with a new build. These covers integrate with the fencing by using the posts as the support of the cover.

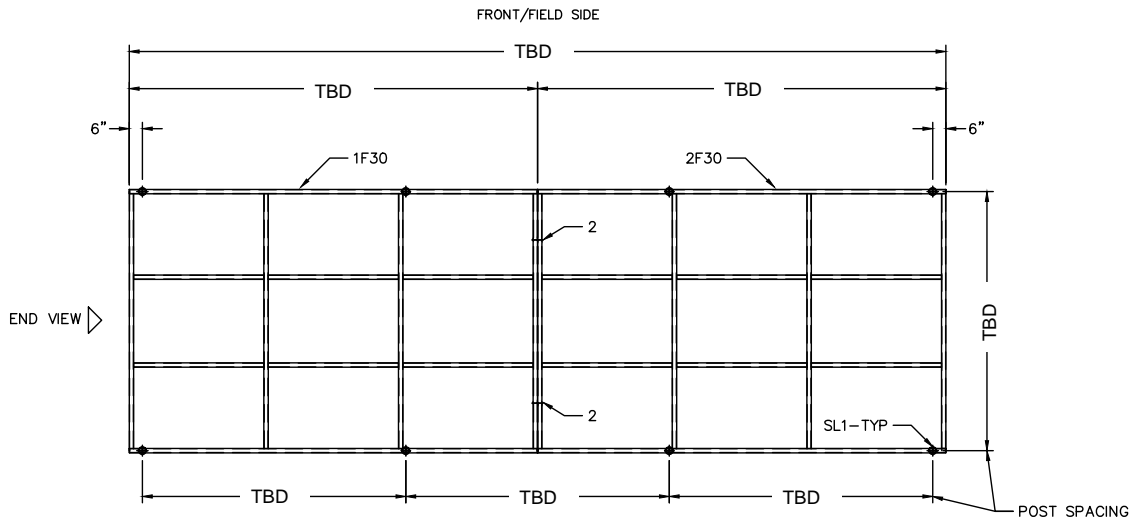
Post Saddles- Constructed to slide over and bolt to the fence post. The roof frame rests on the saddles and is securely bolted together.

Roof Frame- Constructed of 11 gauge steel, 4"x2" rafters and beams along with 2"x2" purlins are finished with a bright powder coated finish.

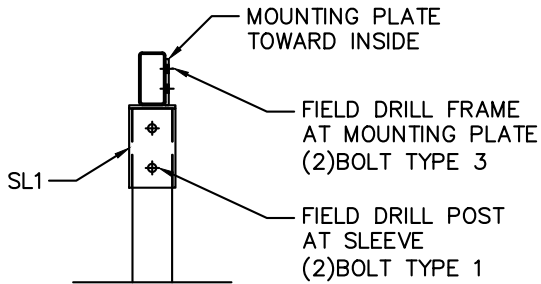
The same heavy duty dent resistant 24 gauge metal roof panels used in all FC models finishes off these covers.

Recommended to be used in conjunction with 3" schedule 40 posts. Footing recommendations are subject to installation area codes.

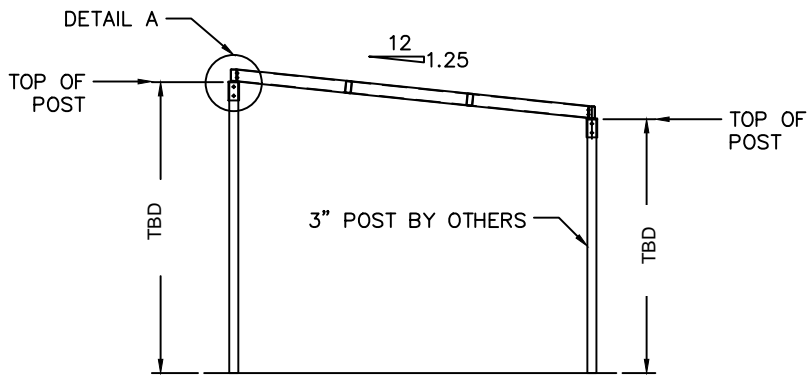
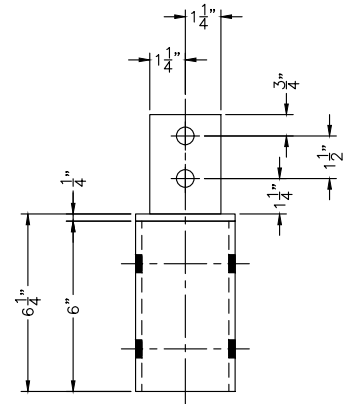
Designed for safety. Built for fun.



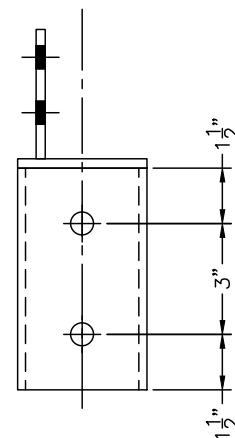
ROOF PLAN



CONNECTION DETAIL A



END VIEW



Designed for safety. Built for fun.

GENERAL NOTES:

CODES AND SPECIFICATIONS

1. IBC 2018
2. ASCE 7-16 MIN DESIGN LOADS FOR BUILDINGS AND OTHER STRUCTURES
3. AISC 360-16 CODE OF STD PRACTICE FOR STEEL BUILDINGS

MATERIALS

- STEEL TUBES = ASTM A513 OR A500 MIN
- STEEL PLATE = A36 MIN
- FIELD BOLTS = 1/2" DIA GR5 MIN, GALV OR ZINC
- ALL SHOP WELDS TO BE 3/16" FILLET UNLESS NOTED OTHERWISE

ROOF PANELS

- PBR PANEL 1-1/4"x24GAx36" COVER MFR BY METAL SALES OR EQUAL
- LENGTHS AS REQUIRED, 2-SPAN MIN

FINISHES

- PRIME TNEMEC SERIES 161
- PAINT TNEMEC SERIES 1074, COLOR TBD

DESIGN LOADS

1. ROOF LOAD
 - LIVE LOAD 20 PSF MIN (SNOW)
2. WIND LOAD
 - BASIC WIND SPEED (ULTIMATE 3-SEC GUST) 115 MPH (90 MPH 3-SEC GUST ASD)
 - WIND EXPOSURE - C
 - $K_z = 0.85$
 - $K_{zt} = 1.0$
 - $K_d = 0.85$
 - $G = 0.85$

FOUNDATIONS

1. CONCRETE SPECIFIED MINIMUM COMPRESSIVE STRENGTH OF 2,500PSI AT 28 DAYS
2. CONCRETE REINFORCING STEEL SHALL CONFORM TO ASTM A615, GRADE 60
3. ALLOWABLE SOIL BEARING PRESSURE (NET) - 1500 PSF
4. CAST IN PLACE ANCHOR RODS = ASTM F1554 GR55, GALV, UNO
5. POST INSTALLED ANCHORS = 1/2 x 4 EMBED MIN LDT OR EPOXY ANCHOR
5. FROST LINE DEPTH = 36"