

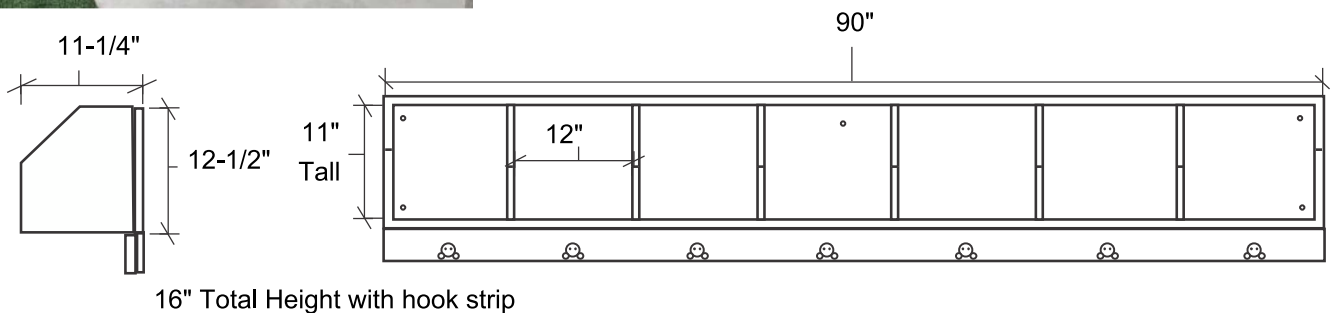
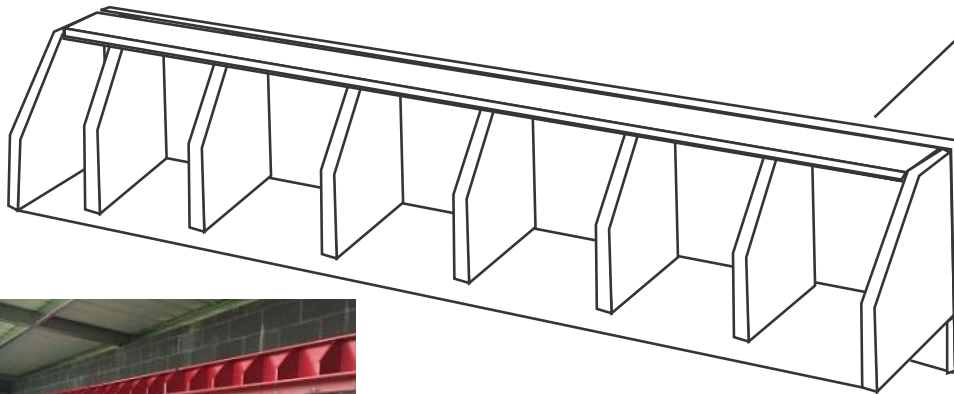
Designed for safety. Built for fun.

7 Geary Rack

* Images not to scale

Entire product (except back panel) is made with a 3/4" MDO signboard material. Concrete block attachment hardware included. For fence attachment, we can upgrade the back to 1/2" MDO and send fence attachment hardware for a small upcharge.

1/4" Exterior Plywood Back



Proprietary Notice

Information within this document is the property of **PYT Sports Inc.**
Any reproduction, in part or as a whole,
without the written permission of **PYT Sports Inc.** is strictly prohibited

Painted With Two Coats Of Exterior Enamel Paint
Mounting Styles Available For: Concrete Block, Wood Or Fence Dugouts
No Assembly Required
Each Order Includes One Can of "Touch Up" Paint For Post Installation

Geary Helmet Rack - 7 Helmet