

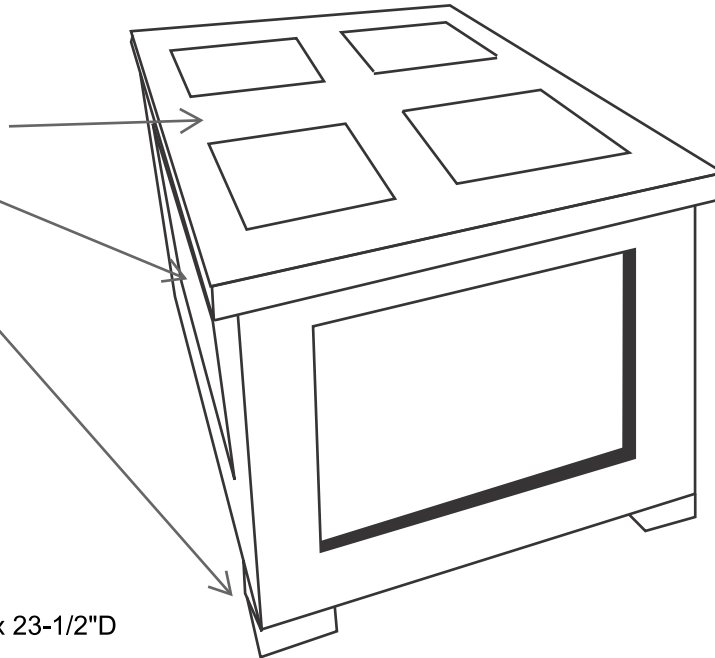
Designed for safety. Built for fun.

Grizzly Bat Box

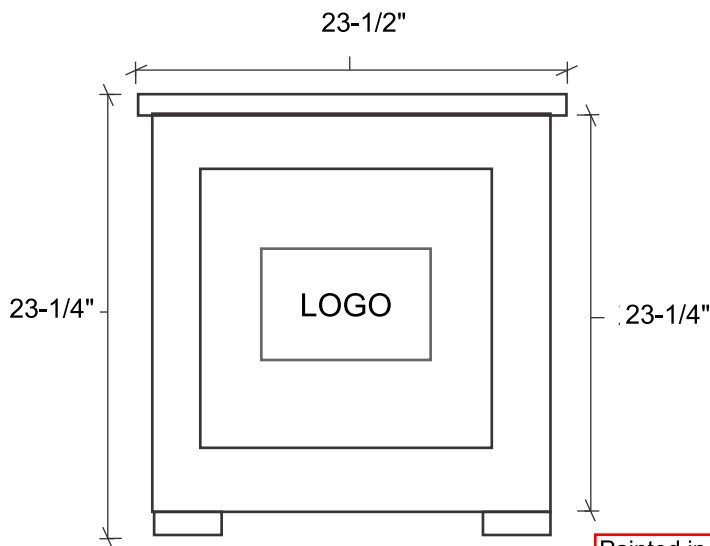
*Images not to scale

(Holds 36 Bats)

Made entirely of MDO
(Medium Density Overlay)
Board



Overall Dimensions: 23-1/4"H x 23-1/2"W x 23-1/2"D



Proprietary Notice
Information within this document is the property of **PYT Sports Inc.**
Any reproduction, in part or as a whole,
without the written permission of **PYT Sports Inc.** is strictly prohibited

Painted in any color that Sherwin Williams makes. Or provide PMS (Pantone) color and we will match as close as possible. As an option, we can paint the top of the bat box in a secondary color (no extra cost). Logo on all 4 sides included. Provide artwork in either original vector file, .AI, .EPS, .JPEG or .PDF forms, the bigger the file the better.

Painted With Two Coats Of Exterior Enamel Paint
Mounting Styles Available For: Concrete Block, Wood Or Fence Dugouts
No Assembly Required
Each Order Includes One Can of "Touch Up" Paint For Post Installation

Grizzly 36 Bat Box