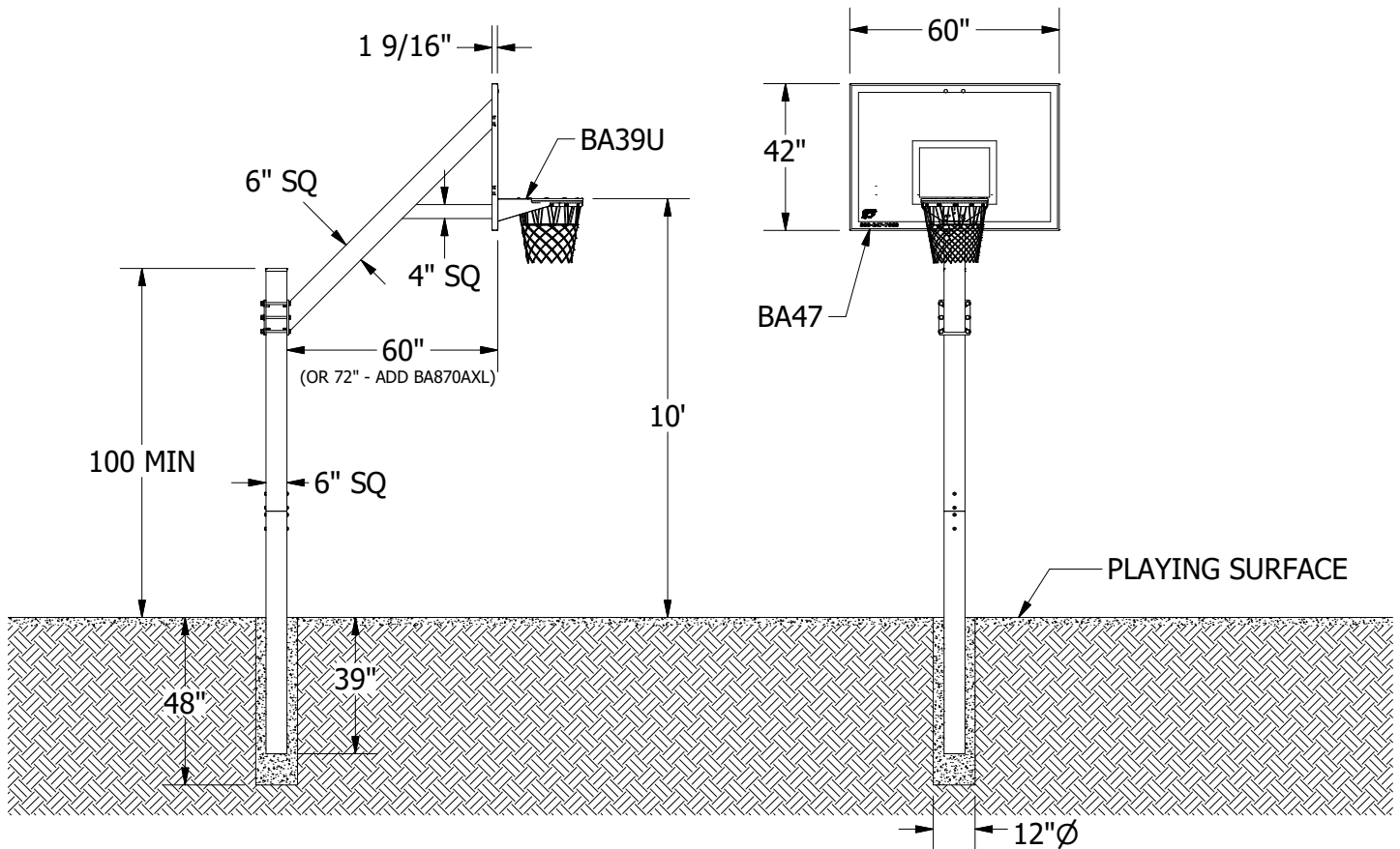


*Designed for safety. Built for fun.*



Pole assembly shall be constructed of 6" square, 3/16" wall structural steel tube suitable for a 39" in-ground installation. Pole shall be shipped in 2 pieces and attached in the middle by means of two 3/8" x 3" x 12" steel bar, and eight 1/2" x 3/4" button head cap screws forming a single, straight, rigid pole. Connecting points shall be covered by pole padding if padding is included in the system. 45° extension arm shall be 6" square, 3/16" wall structural tube with a 4" square, 1/8" wall steel tube horizontal support and 1/4" thick steel backboard support plate. Pole shall be designed so that rim mounts directly to pole to minimize stress on the backboard. Extension arm shall be mounted by means of 6 each 5/8" grade 8 bolts. Pole system shall provide a minimum setback from the front of pole to front of backboard of 60". Entire pole system shall have a textured black polyester powder coated finish and carry a lifetime functional warranty. Vertical pole shall be capped to keep out rain. Backboard shall be constructed of formed and welded steel with a 42" x 60" rectangular playing surface. Skin shall be 12 ga. mild steel and rear structure shall be 7 ga. and 10 ga. steel. All edges of the skin shall be formed in such a way that no shear edges are exposed. Boards with exposed shear edges shall not be considered equal. The backboard shall be coated with a white polyester powder coated finish and have an official-sized orange shooter's square. Backboards shall carry an unconditional lifetime functional warranty. Rim shall consist of two 5/8" diameter high strength steel rings welded together at a minimum of six places. Back and side plates shall be 3/16" thick and be continuously welded. The net attachment system shall be of a continuous type constructed of 3/16" x 1" steel with punched net attachment slots suitable for nylon (included) or chain (optional) nets. Individual or continuous wire formed netlocks are not an acceptable equal. Rim shall have an unconditional lifetime warranty and orange powder coated finish. Installation to be completed in accordance to manufacturer's instructions. Do not scale drawings. Entire system weight shall be 500#