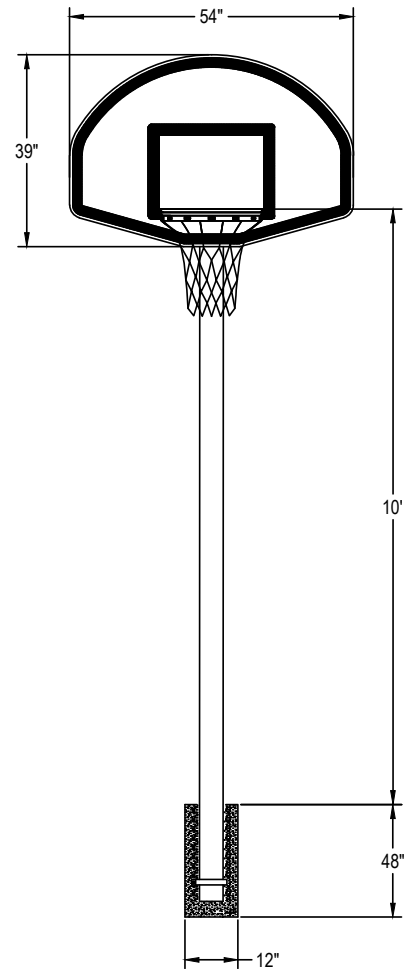
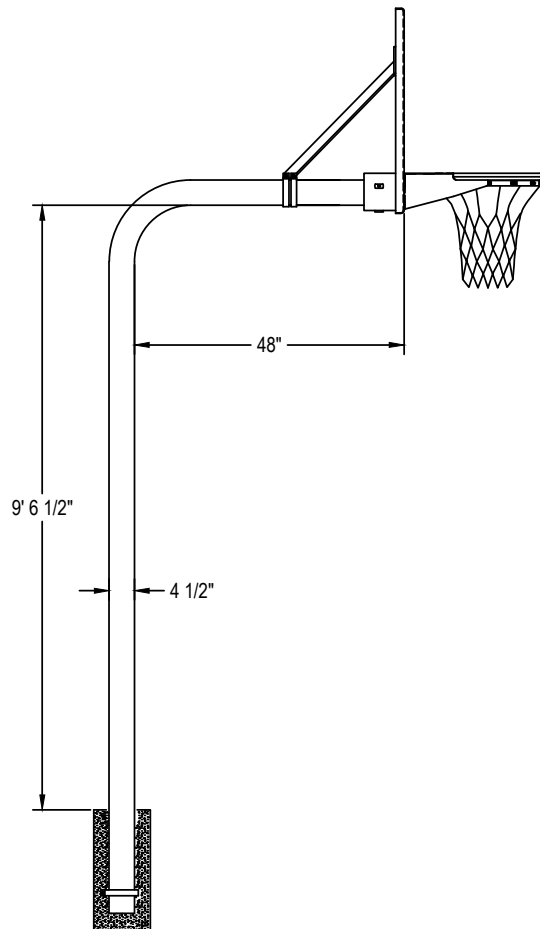


*Designed for safety. Built for fun.*



Pole shall be constructed of 4 1/2" outside diameter RS40 flow coated galvanized steel tubing with a 7 ga. wall thickness. Design shall be a bent gooseneck style and allow for a 48" bury into the ground and a 48" extension from the front of the pole to the face of the backboard. Two 1 5/8" diameter 13 ga. flow coated galvanized tubular braces shall support the top of the backboard and connect directly to the pole. Pole shall be designed so that the rim mounts directly to the horizontal pole section through the backboard to eliminate stress on the backboard during play. Pole systems without backboard support braces shall not be considered equal. Poles shall carry a minimum 25-year warranty. Backboard shall be constructed of formed and welded steel with a 39" x 54" fan-shaped playing surface. Skin shall be 12 ga. mild steel and support structure shall be 7 ga. and 10 ga. All skin edges shall be formed to create a 1 1/2" lip to add strength. The backboard shall be coated with a white polyester powder coated finish and have an official orange shooter's square and border. Backboard shall accept rims with a 5" x 5" hole pattern and be manufactured in the USA. Backboard shall carry a minimum 10-year limited warranty. Rim shall consist of two 5/8" diameter AISI 1018 cold drawn carbon steel rings welded together at a minimum of six places. Back and side plates shall be 3/16" thick and be continuously welded. The net attachment system shall be of a continuous type constructed of 3/16" x 1" steel with punched net attachment slots suitable for nylon (included) or chain (optional) nets. Individual or continuous wire formed netlocks are not an acceptable equal. Rim shall be punched to mount on any front mount backboard, have an unconditional lifetime warranty and orange powder coated finish. Mounting hardware shall be included. Rim shall be made in the USA. Installation to be completed in accordance with manufacturer's instructions. Do not scale drawings. Entire system shall weigh approximately 275#.