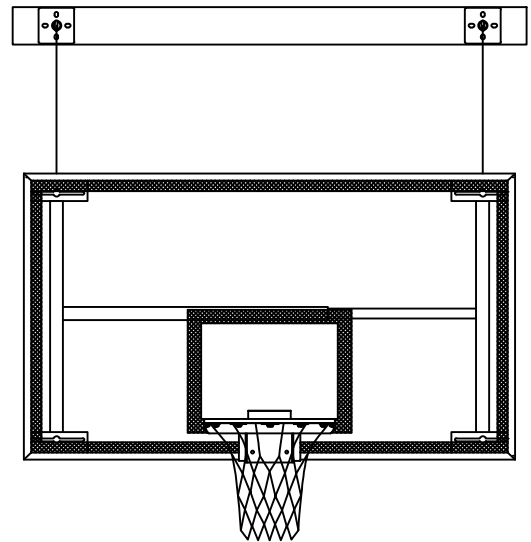
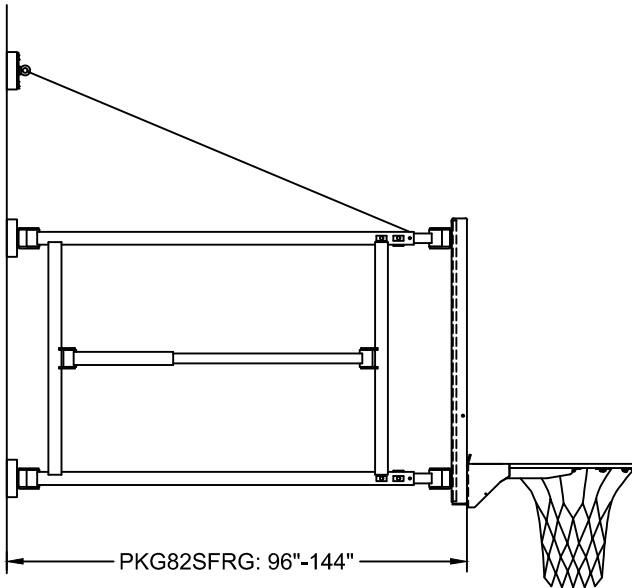
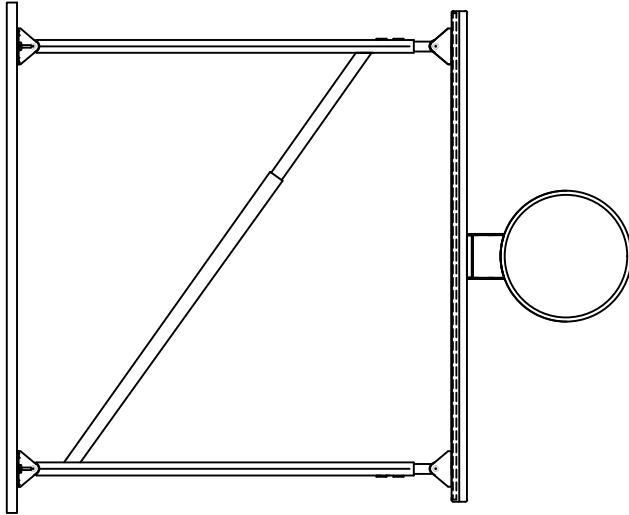


Designed for safety. Built for fun.



PRODUCT SPECIFICATION

PKG82SFRG SIDE FOLD COMPETITION IN STOCK WALL MOUNT SYSTEM

Product specifications can be found on page 2.

Designed for safety. Built for fun.

Entire wall mount package shall consist of one each of the following components.

Structure shall be constructed of 100% welded 2" diameter DOM seamless tubing with a 10 ga. wall thickness. 1 5/8" diameter extension tubes shall fit inside the 2" tubes to allow a minimum of 48" adjustment of the backboard extension at the time of installation. Adjustment shall allow the face of the backboard to be anywhere 96" and 144" from the wall. Telescoping tubes shall be triple set screwed, then drilled and bolted in place at final assembly. All mounting brackets and hinge components shall be a minimum of 7 ga. thick and all bolts at the pivot location shall be no less than 5/8" diameter grade 5 zinc plated. Structure shall be designed to swing either to the right or left by means of a diagonal telescoping strut that can be locked at either the stored or the playing position by means of a spring loaded locking pin. All steel components shall be finished with a gray powder coated finish. Steel structure shall mount to 2" x 8" southern yellow pine wall struts that shall be attached directly to the wall with fasteners selected by the installer. 800#, 3/16" proof coil chain shall extend at an approximate angle of 45° to brackets attached to a third 2" x 8" wall strut. Chain shall be tensioned by means of a turnbuckle.

Backboard shall be 42" x 72" and constructed of 1/2" thick tempered glass with an official white shooter's square and border and shall have 5" x 4" goal mounting pattern. Frame shall be aluminum extrusion held together in the top corners by means of 7 ga. steel corner brackets that provide for the industry standard 36" x 62" short board corner mounting pattern. A fabricated steel rim support structure shall extend the full 72" width of the bottom of the backboard and be mounted to the aluminum framework in no less than 10 places. Steel spacers shall protrude through large holes in the glass for rim mounting. At no time shall the rim be allowed to contact the glass at any point during play when up to 1,000 lbs. of pressure is applied to the rim. Board accepts rims with 5" x 4" mounting pattern. Backboard shall meet all NCAA and National High School Federation standards and carry an unconditional lifetime warranty. Frame shall be predrilled to allow mounting of Bison Model BA68U DuraSkin Backboard padding. Board shall weigh 200#.

Goal shall be constructed using 5/8" diameter high strength AISI 1018 cold drawn carbon steel ring with continuous wire netlocks to accept anti-whip nylon net (included). All backplate components shall be constructed of 3/16" thick steel. The mounting plate shall be punched with hole patterns for mounting to 42" x 72" rectangular backboards. The rim support brace shall be 1/4" x 1 1/2" steel and provide continuous support for 180° of the circumference of the 5/8" ring. The breakaway mechanism shall be of the positive lock design, factory preset. An automatic return shall be provided by means of two return springs which shall also cushion the breakaway action when the pressure release setting has been exceeded. Two hardened steel balls shall be contained in a tubular assembly with each being forced outward with equal pressure by a single spring. The balls shall nest on each side of the rim/backplate assembly in a hardened detent. Said ball/detent mechanism shall provide proper breakaway pressure. All pinch points shall be eliminated for player safety. Entire mechanism shall be covered by a steel coverplate. All components shall be coated with an official orange powder coated finish. Goal shall carry an unconditional 3-year replacement warranty, be manufactured in the USA and meet all NCAA and National High School Federation standards and weigh approximately 22#.

Padding shall be molded to meet or exceed all standards set forth by the NCAA, National High School Federation and FIBA. Padding shall be cellular construction with a skin of an average minimum thickness of 1.5mm. The skin shall be produced integral to the cushion using a self-skinning molding process. The tear strength of the skin shall be a minimum 125 psi. The padding system shall be capable of mounting to all brands and styles of 72" rectangular backboards by means of eight bolts (provided). A steel track molded into the padding shall provide rigidity and strength to the mounting system. The corners of the padding shall be molded square for maximum safety and shall not require mitering, gluing or forming for attachment. All hardware shall be provided. The two section padding system shall be available in official Gray, Royal, Navy, Columbia Blue, Scarlet, Orange, Gold, Kelly Green, Forest Green, Black, Maroon, Purple, Vegas Gold, Cardinal, Brown, Burnt Orange and Pink. Colors shall be continuous throughout the thickness of the padding, not only on the skin. The warranty shall extend for 10-years and cover tearing and deterioration, as well as detachment from the backboards and weigh 12#. Entire system shall weigh approximately 585#. Installation to be completed in accordance with manufacturer's instructions. Do not scale drawings.

PRODUCT SPECIFICATION

PKG82SFRG SIDE FOLD COMPETITION IN STOCK WALL MOUNT SYSTEM